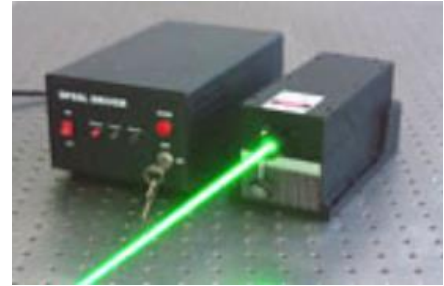




# DPLN532 Series 532nm Low Noise CW DPSS Laser System up to 5000mW

## Overview

The DPLN532 series diode pumped solid state (DPSS) laser is ideal for applications that require a wavelength of 532nm and output power levels up to 5000mW. The laser features a compact design, low noise, long lifetime, easy operation, and FDA-compliant system with driver. The laser is widely used in collimation, laser medical treatment, scientific experiment, optical instrument, laser display, laser lighting show, and many other applications.



## Specifications

Model Number	DPLN532A-XYZRQ		DPLN532B-XYZRQ	
Wavelength (nm)	532±1			
Output power (mW)	>3000 (X=3W), >4000 (X=4W), >5000 (X=5W)			
Transverse mode	TEM <sub>00</sub>		Near TEM <sub>00</sub>	
Operating mode	CW			
Power stability (rms, over 4 hours)	<5% (Z=A), <3% (Z=E), <2% (Z=2), <1% (Z=D)			
Noise of amplitude (rms, 1-20MHz)	<1% (R=1)			
Spectral linewidth (nm)	<0.01			
M <sup>2</sup> factor	<1.3		3-5	
Beam diameter at aperture (1/e <sup>2</sup> , mm)	~1.5		~3.0	
Beam divergence, full angle (mrad)	<1.5			
Polarization ratio	>100:1			
Warm-up time (minutes)	<10			
Beam height from base plate (mm)	68.5			
Operating temperature (°C)	10-35			
Dimensions of laser head (mm)	245(L)×99(W) ×94(H) mm <sup>3</sup>			
Weight of laser head (kg)	2.6 kg			
Power supply options				
High Power Elite Power Supply (Y=H)	Input voltage	90-264VAC		
	Dimensions	307(L) ×150(W) ×106(H) mm <sup>3</sup>	275(L) ×145(W) ×104(H) mm <sup>3</sup>	
	Weight	2.9 kg	2.4 kg	
	Notes	Fixed output power		
High Power Laboratory Power Supply (Y=M)	Input voltage	90-264VAC		
	Dimensions	307(L) ×150(W) ×106(H) mm <sup>3</sup>	277(L) ×145(W) ×106(H) mm <sup>3</sup>	
	Weight	2.9 kg	2.6 kg	
	Notes	Adjustable output power		
Modulation option		None (Q=0)		
	TTL	1Hz-1kHz (Q=T1), 1kHz-10kHz (Q=T2), 10kHz-30kHz (Q=T3)		
	Analog	1Hz-1kHz (Q=A1), 1kHz-10kHz (Q=A2), 10kHz-30kHz (Q=A3)		
Expected lifetime (hours)	10,000			
Warranty period	10 months			
FDA Compliance	FDA CDRH Title 21 CFR 1040.10/11 Class IV			

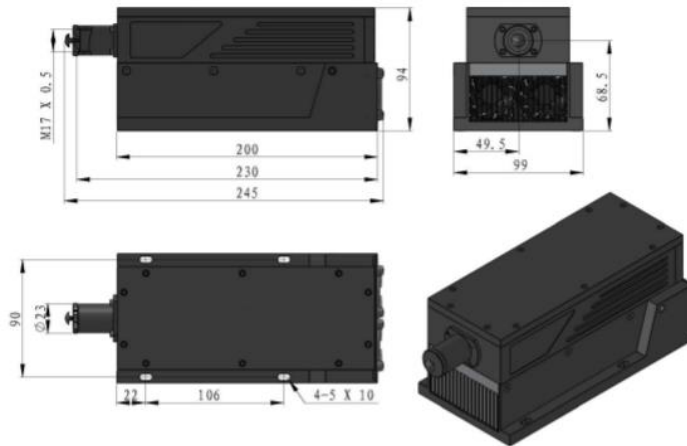
### Remarks:

- Specifications of the CW laser is based on the laser performance at full power output after the specified warmup period. The stability of output power may change when output power is adjusted at a different power level.



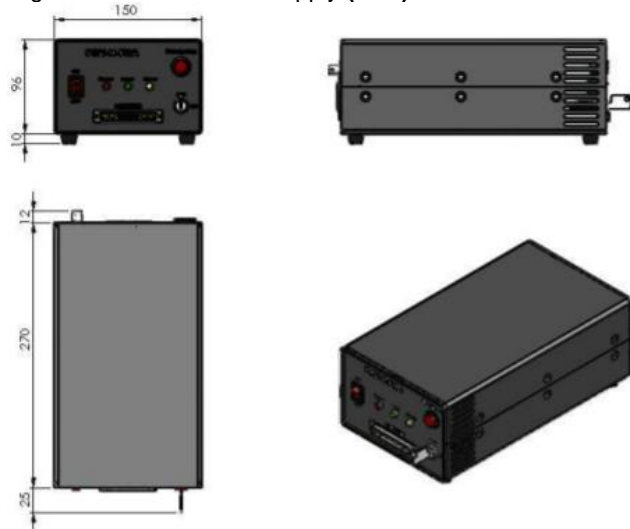
**Outline Dimensions (unit: mm)**

**Laser Head**

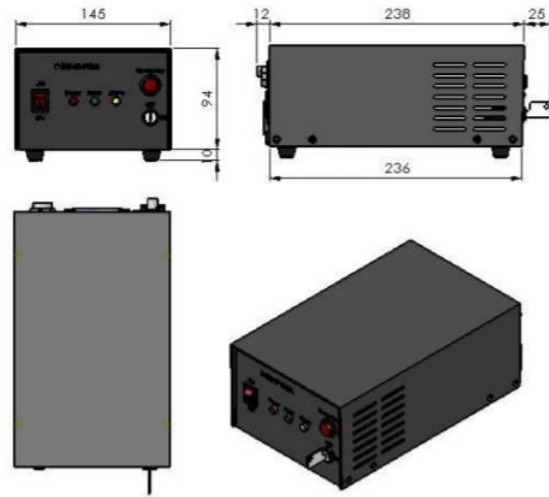


**Power Supply Options**

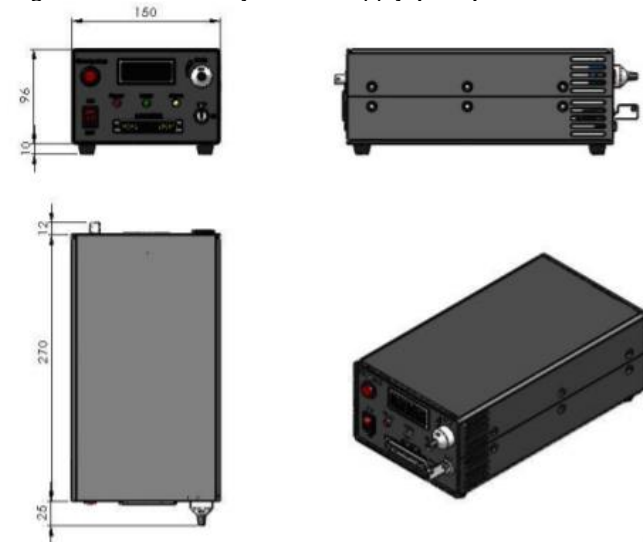
**High Power Elite Power Supply (Y=H) for DPLN532A**



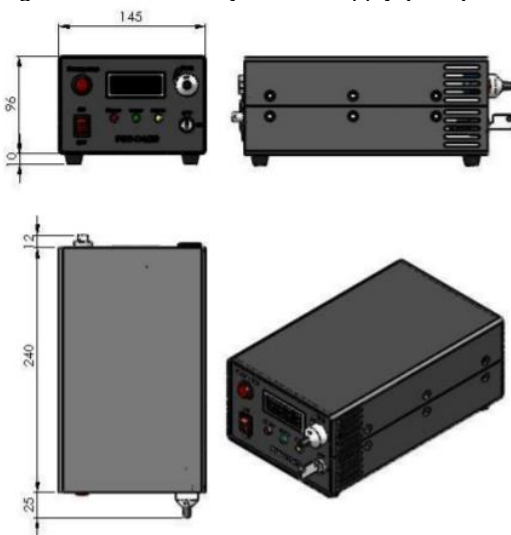
**High Power Elite Power Supply (Y=H) for DPLN532B**



**High Power Laboratory Power Supply (Y=M) for DPLN532A**



**High Power Laboratory Power Supply (Y=M) for DPLN532B**



Note: The above specifications are subject to change without notice.