



DPLFN698 Series 698nm Fan-less Low Noise CW DPSS Laser System up to 1000mW

Overview

The DPLFN698 series diode pumped solid state (DPSS) laser is ideal for applications that require a wavelength of 698nm and output power levels up to 1000mW. The laser features low noise, compact design, long lifetime, easy operating, and FDA-compliant system with driver. The laser is widely used in measurement, spectrum analysis, scientific research, and many other applications.



Specifications

Model Number	DPLFN698-XYZA	
Wavelength (nm)	698±1	
Output power (mW)	>50 (X=50), >100 (X=100), >200 (X=200), >300 (X=300), >400 (X=400)	>500 (X=500), >600 (X=600), >800 (X=800), >1000 (X=1W)
Transverse mode	TEM ₀₀	Near TEM ₀₀
Operating mode	CW	
Power stability (rms, over 4 hours)	<5% (Z=A), <3% (Z=E), <2% (Z=2)	<5% (Z=A), <3% (Z=E)
Noise of amplitude (rms, 20Hz-20MHz)	<1% (A=1)	
M ² factor	<1.5	
Beam diameter at aperture (1/e ² , mm)	~2.0	
Beam divergence, full angle (mrad)	<1.5	
Polarization ratio	>100:1 Horizontal ±5 degree	
Warm-up time (minutes)	<10	
Pointing stability after warm-up (mrad)	<0.05	
Beam height from base plate (mm)	27.4	
Operating temperature (°C)	10-35	
Dimensions of laser head (mm)	197(L)×70(W) ×50(H) mm ³	
Weight of laser head (kg)	2.0 kg	
Power supply options		
High Power Elite Power Supply (Y=H)	Input voltage	90-264VAC
	Dimensions	275(L) ×145(W) ×104(H) mm ³
	Weight	2.3 kg
	Notes	Fixed output power
High Power Laboratory Power Supply (Y=M)	Input voltage	90-264VAC
	Dimensions	277(L) ×145(W) ×106(H) mm ³
	Weight	2.6 kg
	Notes	Adjustable output power
Expected lifetime (hours)	10,000	
Warranty period	10 months	
FDA Compliance	FDA CDRH Title 21 CFR 1040.10/11 Class IV	

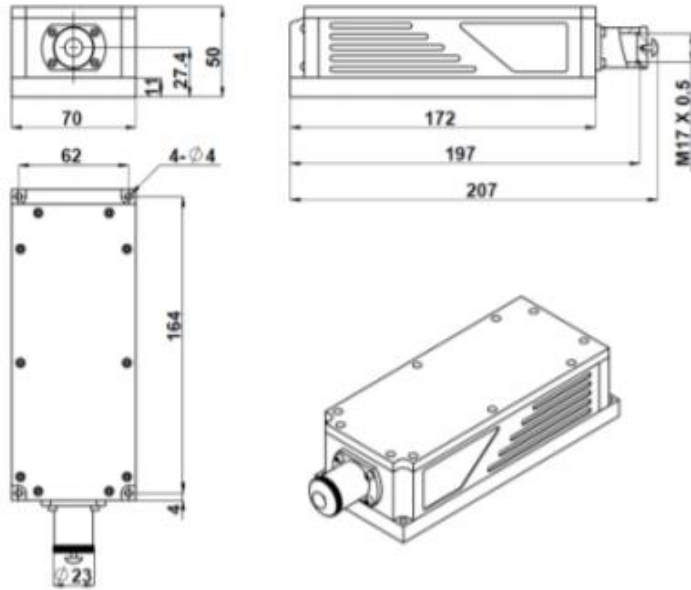
Remarks:

- The laser head needs to be used on a heat sink with good heat dissipation.
- Specifications of the CW laser is based on the laser performance at full power output after the specified warmup period. The stability of output power may change when output power is adjusted at a different power level.



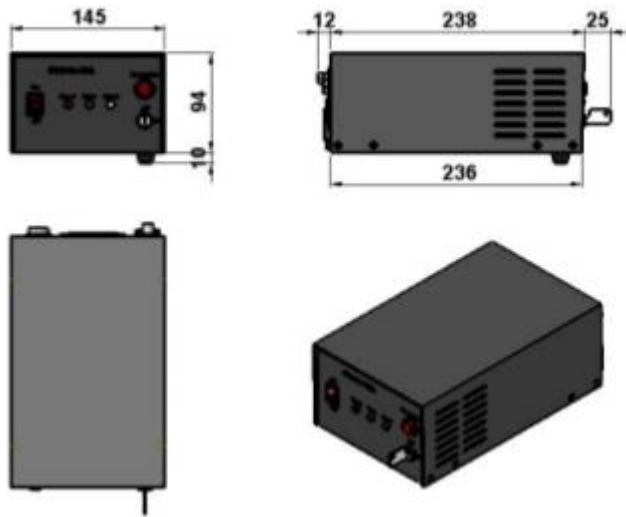
Outline Dimensions (unit: mm)

Laser Head



Power Supply Options

High Power Elite Power Supply (Y=H)



High Power Laboratory Power Supply (Y=M)



Note: The above specifications are subject to change without notice.