



DPLFN360 Series 360nm Low Noise DPSS Laser System up to 50mW

Overview

The DPLFN360 series low noise diode pumped solid state (DPSS) laser is ideal for applications that require a wavelength of 360nm and output power levels up to 50mW. The laser features low noise, long lifetime, easy operating, TEM₀₀ transverse mode, and FDA-compliant system with driver. The laser is widely used in measurement, spectrum analysis as substitute for He-Ne lasers.



Specifications

Model Number	DPLFN360-XYZA	
Wavelength (nm)	360±1	
Output power (mW)	>10 (X=10), >20 (X=20), >30 (X=30), >50 (X=50)	
Transverse mode	TEM ₀₀	
Operating mode	CW	
Power stability (rms, over 4 hours)	<10% (Z=B)	
Noise of amplitude (rms, 20Hz~20MHz)	<1% (A=1)	
Beam diameter at aperture (mm)	~1.5	
Beam divergence, full angle (mrad)	<1.0	
M ² factor	<2.0	
Polarization ratio	>50:1, Horizontal ±5 degree	
Warm-up time (minutes)	<10	
Beam height from base plate (mm)	27.4	
Operating temperature (°C)	10~35	
Dimensions of laser head (mm)	197(L)×70(W) ×50(H) mm ³	
Weight of laser head (kg)	2.0 kg	
Power supply		
High Power Elite Power Supply (Y=H):	Input voltage	90-264VAC
	Dimensions	236(L) ×145(W) ×104(H) mm ³
	Weight	2.3 kg
	Notes	CW mode with complete FDA compliant features, such as the turnkey switch and interlock, and easy to operate
Expected lifetime (hours)	5,000	
Warranty period	10 months	
FDA Compliance	FDA CDRH Title 21 CFR 1040.10/11 Class IIIb	

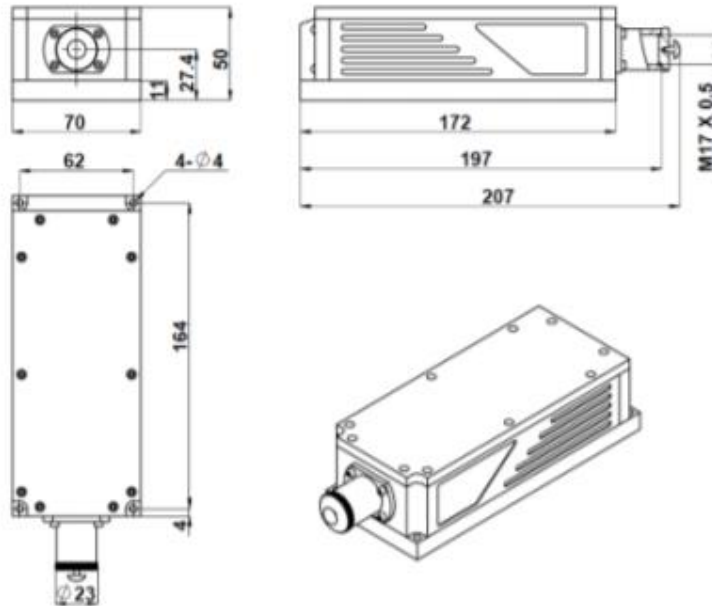
Remarks:

- The laser head needs to be used on a heat sink with good heat dissipation.
- Specifications of the CW laser is based on the laser performance at full power output after the specified warmup period. The stability of output power may change when output power is adjusted at a different power level.

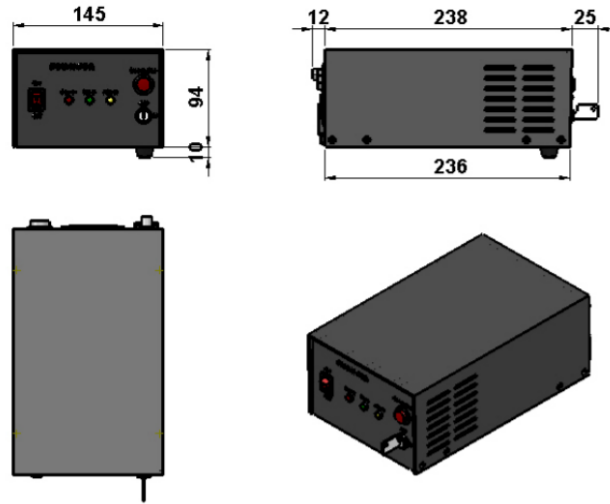


Outline Dimensions (unit: mm)

Laser Head



Power Supply



Note: The above specifications are subject to change without notice.