



DPFN555 Series 555nm Fan-less CW DPSS Laser System up to 100mW

Overview

The DPFN555 series diode pumped solid state (DPSS) laser is ideal for applications that require a wavelength of 555nm and output power levels up to 100mW. The laser features compact design, long lifetime, easy operating, cost-effectiveness, and FDA-compliant system with driver. The laser is widely used in measurement, scientific research, medical treatment, and many other applications.



Specifications

Model Number	DPFN555-XYZ	
Wavelength (nm)	555±1	
Output power (mW)	>30 (X=30), >50 (X=50), >80 (X=80), >100 (X=100)	
Transverse mode	Near TEM ₀₀	
Operating mode	CW	
Power stability (rms, over 4 hours)	<5% (Z=A), <3% (Z=E)	
Beam diameter at aperture (mm)	~2	
Beam divergence, full angle (mrad)	<2	
Polarization ratio	>100:1	
Warm-up time (minutes)	<10	
Beam height from base plate (mm)	27.4	
Operating temperature (°C)	10-35	
Dimensions of laser head (mm)	197(L)x70(W) x50(H) mm ³	
Weight of laser head (kg)	1.36 kg	
Power supply options		
High Power Laboratory Power Supply (Y=M)	Input voltage	90-264VAC
	Dimensions	277(L) x145(W) x106(H) mm ³
	Weight	2.6 kg
	Notes	Adjustable output power
High Power S Version Laboratory Power Supply (Y=S)	Input voltage	90-264VAC
	Dimensions	188(L) x145(W) x83(H) mm ³
	Weight	2 kg
	Notes	Adjustable output power
Expected lifetime (hours)	10,000	
Warranty period	10 months	
FDA Compliance	FDA CDRH Title 21 CFR 1040.10/11 Class IIIb	

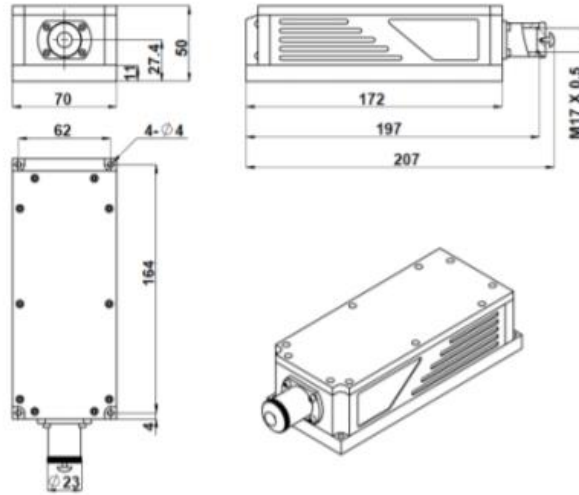
Remarks:

- Specifications of the CW laser is based on the laser performance at full power output after the specified warmup period. The stability of output power may change when output power is adjusted at a different power level.



Outline Dimensions (unit: mm)

Laser Head



Power Supply Options

High Power Laboratory Power Supply (Y=M)



High Power S Version Laboratory Power Supply (Y=S)



Note: The above specifications are subject to change without notice.