

DPF360 Series 360nm UV CW DPSS Laser System up to 100mW

Overview

The DPF360 series diode pumped solid state (DPSS) laser is ideal for applications that require a wavelength of 360nm and output power levels up to 100mW. The laser features a compact design, long lifetime, easy operation, and FDA-compliant system with driver. The laser is widely used in DNA sequencing, flow cytometry, cell sorting, optical instrument, measurement, physics experiment, laser rapid modeling, Raman spectroscopy, fluorescence analysis and many other applications.



Specifications

Model Number	DPF360-XYZ	
Wavelength (nm)	360±1	
Output power (mW)	>10 (X=10), >20 (X=20), >30 (X=30), >50 (X=50), >80 (X=80), >100 (X=100)	
Transverse mode	Near TEM ₀₀	
Operating mode	CW	
Power stability (rms, over 4 hours)	<10% (Z=B), <5% (Z=A), <3% (Z=E), <1% (Z=D)	
Beam diameter at aperture (mm)	~1.2	
Beam divergence, full angle (mrad)	<1.0	
M ² factor	<2.0	
Polarization ratio	>50:1, Horizontal ±5 degree	
Warm-up time (minutes)	<10	
Beam height from base plate (mm)	45	
Operating temperature (°C)	10~35	
Dimensions of laser head (mm)	211(L)×88(W) ×74(H) mm ³	
Weight of laser head (kg)	1.6 kg	
Power supply options		
High Power Elite Power Supply (Y=H):	Input voltage	90-264VAC
	Dimensions	236(L) ×145(W) ×104(H) mm ³
	Weight	2.3 kg
	Notes	CW mode with complete FDA compliant features, such as the turnkey switch and interlock, and easy to operate
High Power Laboratory Power Supply (Y=M):	Input voltage	90-264VAC
	Dimensions	277(L) ×145(W) ×106(H) mm ³
	Weight	2.6 kg
	Notes	Complete FDA compliant features, such as the turnkey switch and interlock, and many other functions; CW mode with adjustable output power knob and operating current LED display
Expected lifetime (hours)	5,000	
Warranty period	10 months	
FDA Compliance	FDA CDRH Title 21 CFR 1040.10/11 Class IIIb	

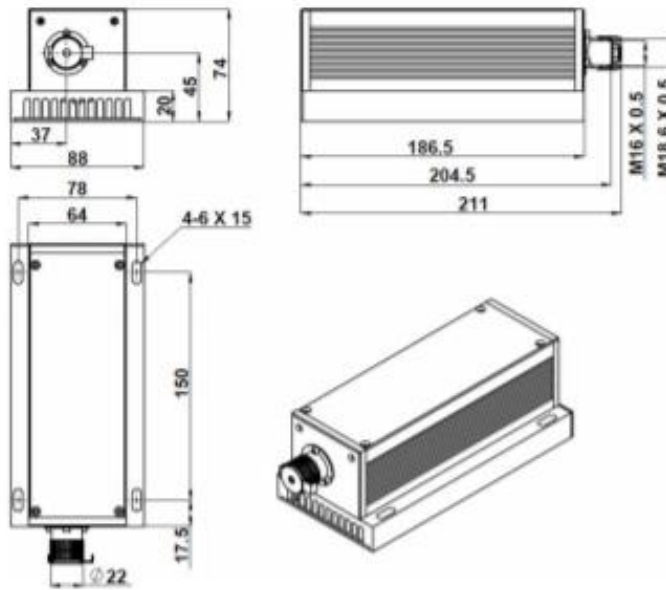
Remarks:

- Specifications of the CW laser is based on the laser performance at full power output after the specified warmup period. The stability of output power may change when output power is adjusted at a different power level.



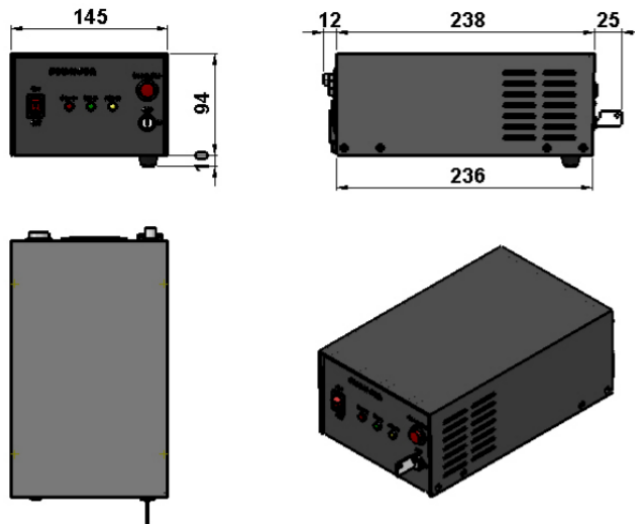
Outline Dimensions (unit: mm)

Laser Head



Power Supply Options

High Power Elite Power Supply (Y=H)



High Power Laboratory Power Supply (Y=M)



Note: The above specifications are subject to change without notice.