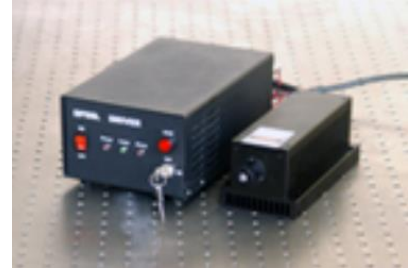


## DPF320 Series 320nm UV CW DPSS Laser System up to 20mW

### Overview

The DPF320 series diode pumped solid state (DPSS) laser is suitable for applications that require a wavelength of 320nm and output power levels up to 20mW. The laser features a compact design, long lifetime, easy operating, and FDA-compliant system with driver. The laser is widely used in DNA sequencing, flow cytometry, optical instrument, spectrum analysis, measurement, cell sorting, physics experiment, laser rapid modeling, and many other applications.



### Specifications

<b>Model Number</b>	<b>DPF320-XYZ</b>	
Wavelength (nm)	320±1	
Output power (mW)	>3 ( <b>X=3</b> ), >5 ( <b>X=5</b> ), >10 ( <b>X=10</b> ), >15 ( <b>X=15</b> ), >20 ( <b>X=20</b> )	
Transverse mode	Near TEM <sub>00</sub>	
Operating mode	CW	
Power stability (rms, over 4 hours)	<10% ( <b>Z=B</b> )	
Beam diameter at aperture (mm)	~1.5	
Beam divergence, full angle (mrad)	<2.5	
M <sup>2</sup> factor	<2.0	
Polarization ratio	>50:1, Horizontal	
Warm-up time (minutes)	<10	
Beam height from base plate (mm)	45	
Spectral purity	>99%	
Operating temperature (°C)	10~35	
Dimensions of laser head (mm)	211(L)×88(W) ×74(H) mm <sup>3</sup>	
Weight of laser head (kg)	1.6 kg	
Power supply		
High Power Elite Power Supply ( <b>Y=H</b> )	Input voltage	90-264VAC
	Dimensions	236(L) ×145(W) ×104(H) mm <sup>3</sup>
	Weight	2.3 kg
	Notes	CW mode with complete FDA compliant features, such as the turnkey switch and interlock, and easy to operate
Expected lifetime (hours)	5,000	
Warranty period	10 months	
FDA Compliance	FDA CDRH Title 21 CFR 1040.10/11 Class IIIb	

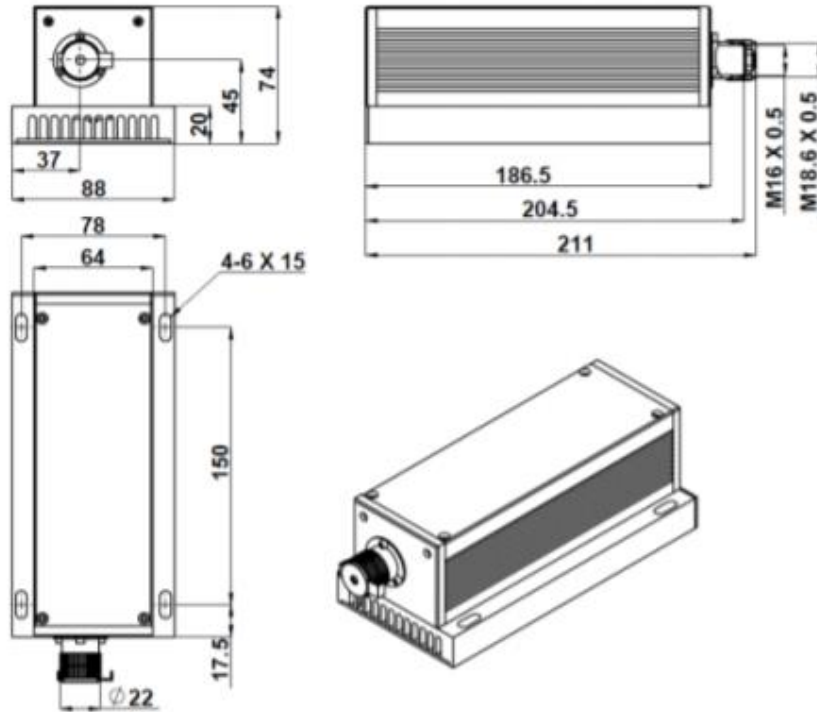
### Remarks:

- Specifications of the CW laser is based on the laser performance at full power output after the specified warmup period. The stability of output power may change when output power is adjusted at a different power level.

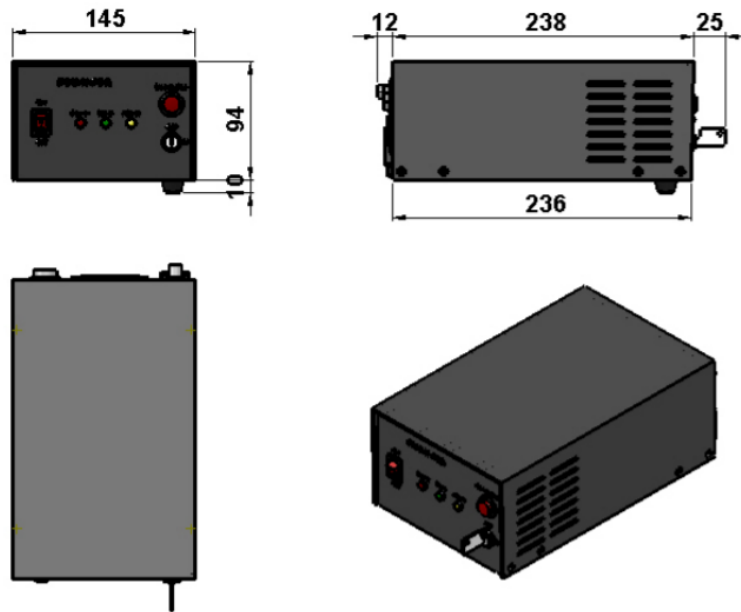


**Outline Dimensions (unit: mm)**

**Laser Head**



**Power Supply**



Note: The above specifications are subject to change without notice.