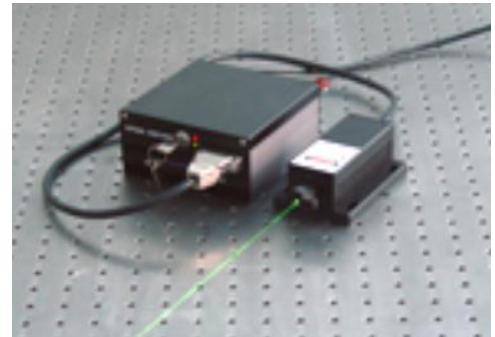




DP523 Series 523.5nm CW DPSS Laser System up to 100mW

Overview

The DP523 series diode pumped solid state (DPSS) laser is ideal for applications that require a wavelength of 523.5nm and output power levels up to 100mW. The laser features a compact design, long lifetime, easy operation, and FDA-compliant system with driver. The laser is widely used in scientific experiment, optical sensor, measurement, instrument, communication, spectrum analysis, and many other applications.



Specifications

Model Number	DP523-XYZ	
Wavelength (nm)	523.5±1	
Output power (mW)	>30 (X=30), >50 (X=50), >80 (X=80), >100 (X=100)	
Transverse mode	Near TEM ₀₀	
Operating mode	CW	
Power stability (rms, over 4 hours)	<5% (Z=A), <3% (Z=E), <2% (Z=2)	
M ² factor	<1.2	
Beam diameter at aperture (1/e ² , mm)	~1.2	
Beam divergence, full angle (mrad)	<1.5	
Polarization ratio	>100:1 Horizontal ±5 degree	
Warm-up time (minutes)	<10	
Beam height from base plate (mm)	24.8	
Operating temperature (°C)	10-35	
Dimensions of laser head (mm)	140.5(L)×73(W) ×46.2(H) mm ³	
Weight of laser head (kg)	0.6 kg	
Power supply options		
Elite Power Supply (Y=E)	Input voltage	90-264VAC
	Dimensions	133(L) ×130(W) ×62.2(H) mm ³
	Weight	1.2 kg
	Notes	Fixed output power
Laboratory Power Supply (Y=L)	Input voltage	90-264VAC
	Dimensions	153(L) ×155(W) ×92(H) mm ³
	Weight	1.5 kg
	Notes	Adjustable output power
Expected lifetime (hours)	10,000	
Warranty period	10 months	
FDA Compliance	FDA CDRH Title 21 CFR 1040.10/11 Class IIIb	

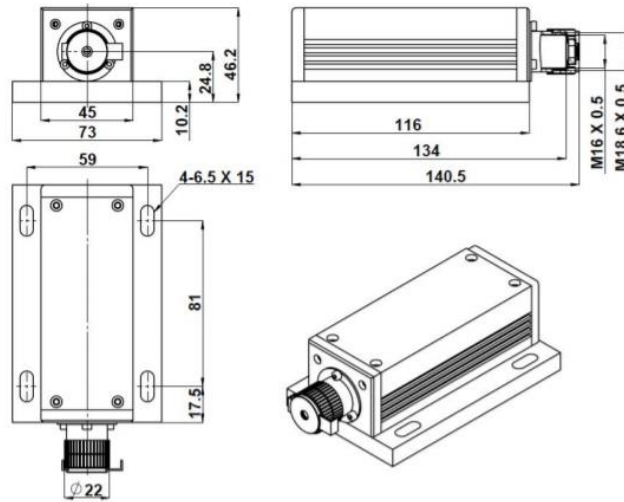
Remarks:

- Specifications of the CW laser is based on the laser performance at full power output after the specified warmup period. The stability of output power may change when output power is adjusted at a different power level.



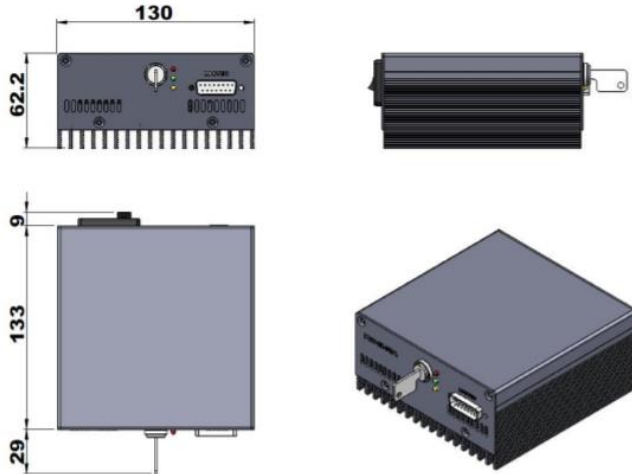
Outline Dimensions (unit: mm)

Laser Head

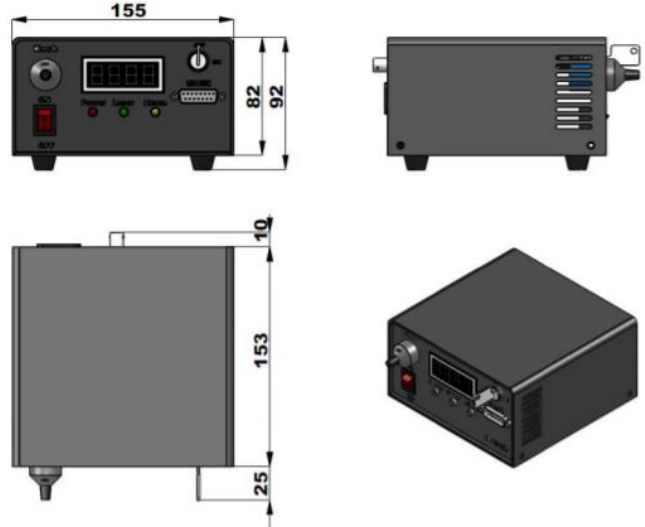


Power Supply Options

Elite Power Supply (Y=E)



Laboratory Power Supply (Y=L)



Note: The above specifications are subject to change without notice.