



DP473 Series 473nm CW DPSS Laser System up to 100mW

Overview

The DP473 series diode pumped solid state (DPSS) laser is ideal for applications that require a wavelength of 473nm and output power levels up to 100mW. The laser features a compact design, long lifetime, easy operation, and FDA-compliant system with driver. The laser is widely used in fluorescence sensors, Raman spectrum, laser printing, holography, laser display, submarine communication, biomedicine, laser lighting show, and many other applications.



Specifications

Model Number	DP473-XYZQ		
Wavelength (nm)	473±1		
Output power (mW)	>50 (X=50)	>100 (X=100)	
Transverse mode	TEM ₀₀		
Operating mode	CW		
Power stability (rms, over 4 hours)	<3% (Z=E), <2% (Z=2)	<5% (Z=A), <3% (Z=E)	
M ² factor	<1.2		
Noise of amplitude (rms, 1-20MHz)	~3%		
Beam diameter at aperture (1/e ² , mm)	~1.2		
Beam divergence, full angle (mrad)	<1.2		
Polarization ratio	>100:1 Vertical ±5 degree		
Warm-up time (minutes)	<10		
Beam height from base plate (mm)	24.8		
Operating temperature (°C)	10-35		
Dimensions of laser head (mm)	140.5(L)×73(W) ×46.2(H) mm ³		
Weight of laser head (kg)	0.6 kg		
Power supply options			
Elite Power Supply (Y=E)	Input voltage	90-264VAC	
	Dimensions	133(L) ×130(W) ×62.2(H) mm ³	
	Weight	1.2 kg	
	Notes	Fixed output power	
Laboratory Power Supply (Y=L)	Input voltage	90-264VAC	
	Dimensions	153(L) ×155(W) ×92(H) mm ³	
	Weight	1.5 kg	
	Notes	Adjustable output power	
Modulation option	None (Q=0)		
	TTL	1Hz-1kHz (Q=T1), 1kHz-10kHz (Q=T2), 10kHz-30kHz (Q=T3)	
	Analog	1Hz-1kHz (Q=A1), 1kHz-10kHz (Q=A2), 10kHz-30kHz (Q=A3)	
Expected lifetime (hours)	10,000		
Warranty period	10 months		
FDA Compliance	FDA CDRH Title 21 CFR 1040.10/11 Class IIIb		

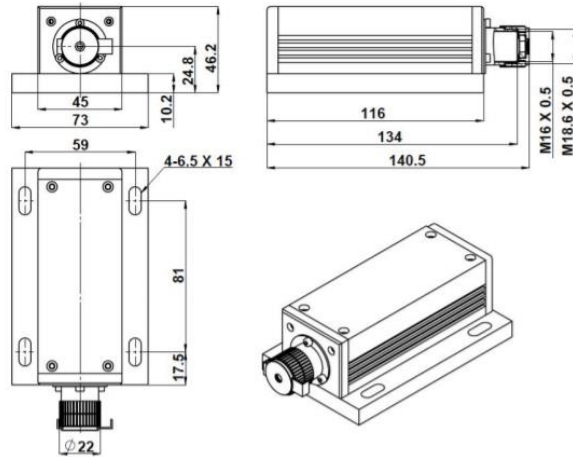
Remarks:

- Specifications of the CW laser is based on the laser performance at full power output after the specified warmup period. The stability of output power may change when output power is adjusted at a different power level.



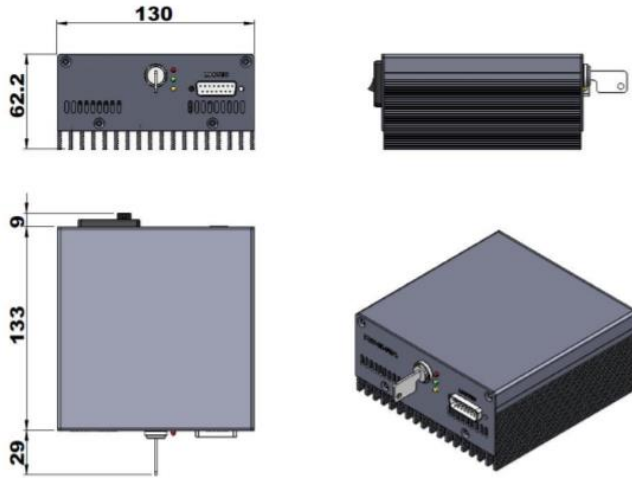
Outline Dimensions (unit: mm)

Laser Head

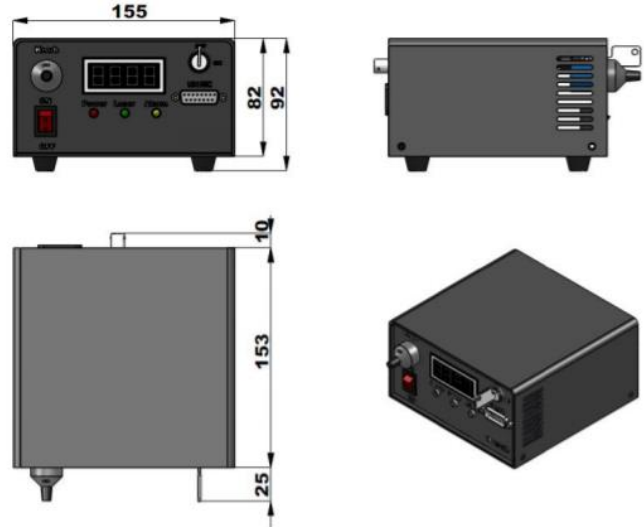


Power Supply Options

Elite Power Supply (Y=E)



Laboratory Power Supply (Y=L)



Note: The above specifications are subject to change without notice.