



DP1342 Series 1342nm CW DPSS Laser System up to 1000mW

Overview

The DP1342 series diode pumped solid state (DPSS) laser is ideal for applications that require a wavelength of 1342nm and output power levels up to 1000mW. The laser features a compact design, long lifetime, easy operation, and FDA-compliant system with driver. The laser is widely used in scientific experiment, measurement, optical sensor, measurement, spectrum analysis, optical instrument, communication, and many other applications.



Specifications

Model Number		DP1342-XYZQ	
Wavelength (nm)		1342±1	
Output power (mW)		>200 (X=200), >300 (X=300), >500 (X=500)	>800 (X=800), >1000 (X=1W)
Transverse mode		TEM ₀₀	
Operating mode		CW	
Power stability (rms, over 4 hours)		<5% (Z=A), 3% (Z=E), <1% (Z=D)	<5% (Z=A), 3% (Z=E)
M ² factor		<1.2	
Beam diameter at aperture (1/e ² , mm)		~1.5	
Beam divergence, full angle (mrad)		<1.5	
Warm-up time (minutes)		<10	
Beam height from base plate (mm)		24.8	
Polarization ratio		>100:1 Horizontal ±5 degree	
Pointing stability after warm-up (mrad)		<0.05	
Operating temperature (°C)		10-35	
Dimensions of laser head (mm)		140.5(L)×73(W) ×46.2(H) mm ³	
Weight of laser head (kg)		0.6 kg	
Power supply options			
Elite Power Supply (Y=E)	Input voltage	90-264VAC	
	Dimensions	171(L) ×130(W) ×62.2(H) mm ³	
	Weight	1.2 kg	
	Notes	Fixed output power	
Laboratory Power Supply (Y=L)	Input voltage	90-264VAC	
	Dimensions	188.6(L) ×155(W) ×92(H) mm ³	
	Weight	1.5 kg	
	Notes	Adjustable output power	
Modulation option		None (Q=0)	
	TTL	1Hz-1kHz (Q=T1), 1kHz-10kHz (Q=T2), 10kHz-30kHz (Q=T3)	
	Analog	1Hz-1kHz (Q=A1), 1kHz-10kHz (Q=A2), 10kHz-30kHz (Q=A3)	
Expected lifetime (hours)		10,000	
Warranty period		10 months	
FDA Compliance		FDA CDRH Title 21 CFR 1040.10/11 Class IV	

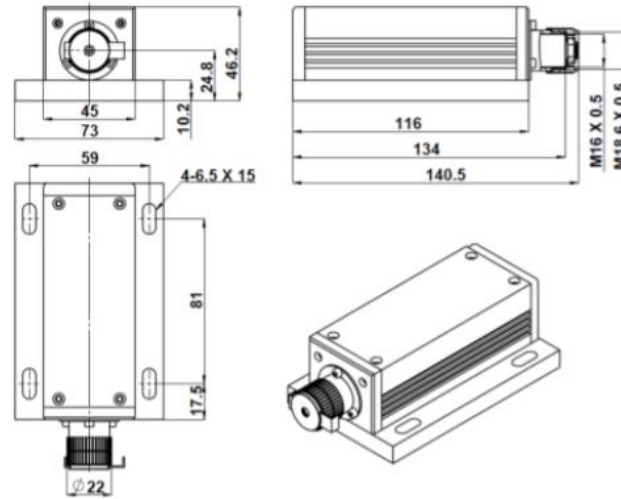
Remarks:

- Specifications of the CW laser is based on the laser performance at full power output after the specified warmup period. The stability of output power may change when output power is adjusted at a different power level.



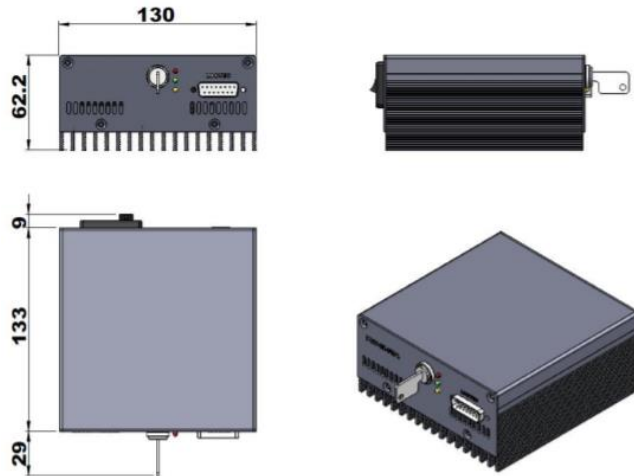
Outline Dimensions (unit: mm)

Laser Head

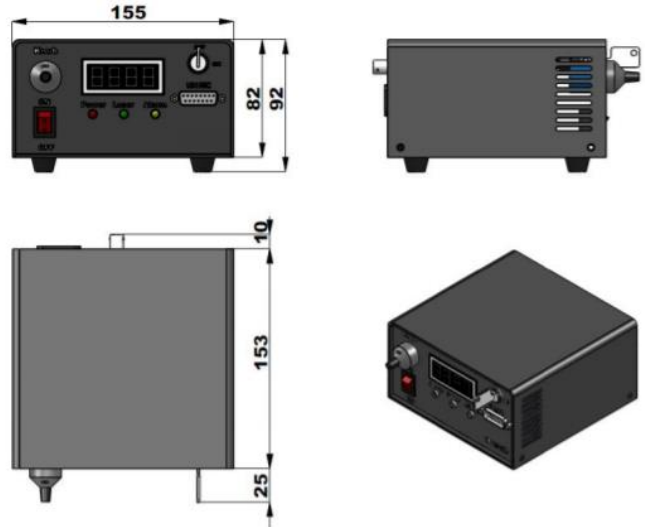


Power Supply Options

Elite Power Supply (Y=E)



Laboratory Power Supply (Y=L)



Note: The above specifications are subject to change without notice.