



DP1112 Series 1112nm CW DPSS Laser System up to 100mW

Overview

The DP1112 series diode pumped solid state (DPSS) laser is ideal for applications that require a wavelength of 1112nm and output power levels up to 100mW. The laser features a compact design, long lifetime, easy operation, and FDA-compliant system with driver. The laser is widely used in scientific experiment, measurement, optical sensor, measurement, spectrum analysis, optical instrument, and many other applications.

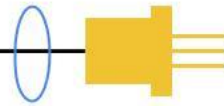


Specifications

Model Number	DP1112-XYZQ	
Wavelength (nm)	1112±3	
Output power (mW)	>50 (X=50)	>80 (X=80), >100 (X=100)
Transverse mode	TEM ₀₀	
Operating mode	CW	
Power stability (rms, over 4 hours)	<5% (Z=A), <3% (Z=E), <2% (Z=2), <1% (Z=D)	<5% (Z=A), <3% (Z=E), <2% (Z=2)
M ² factor	<1.5	
Beam diameter at aperture (1/e ² , mm)	~1.5	
Beam divergence, full angle (mrad)	<1.5	
Warm-up time (minutes)	<10	
Beam height from base plate (mm)	24.8	
Pointing stability after warm-up (mrad)	<0.05	
Operating temperature (°C)	10-35	
Dimensions of laser head (mm)	140.5(L)×73(W) ×46.2(H) mm ³	
Weight of laser head (kg)	0.6 kg	
Power supply options		
Elite Power Supply (Y=E)	Input voltage	90-264VAC
	Dimensions	171(L) ×130(W) ×62.2(H) mm ³
	Weight	1.2 kg
	Notes	Fixed output power
Laboratory Power Supply (Y=L)	Input voltage	90-264VAC
	Dimensions	188.6(L) ×155(W) ×92(H) mm ³
	Weight	1.5 kg
	Notes	Adjustable output power
Modulation option		None (Q=0)
	TTL	1Hz-1kHz (Q=T1), 1kHz-10kHz (Q=T2), 10kHz-30kHz (Q=T3)
	Analog	1Hz-1kHz (Q=A1), 1kHz-10kHz (Q=A2), 10kHz-30kHz (Q=A3)
Expected lifetime (hours)	10,000	
Warranty period	10 months	
FDA Compliance	FDA CDRH Title 21 CFR 1040.10/11 Class IIIb	

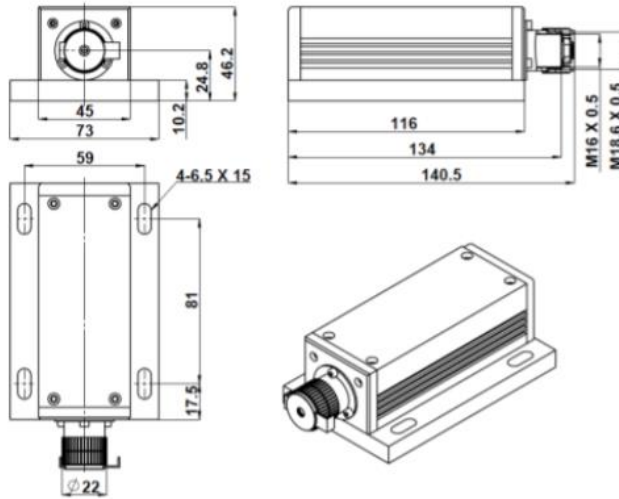
Remarks:

- Specifications of the CW laser is based on the laser performance at full power output after the specified warmup period. The stability of output power may change when output power is adjusted at a different power level.



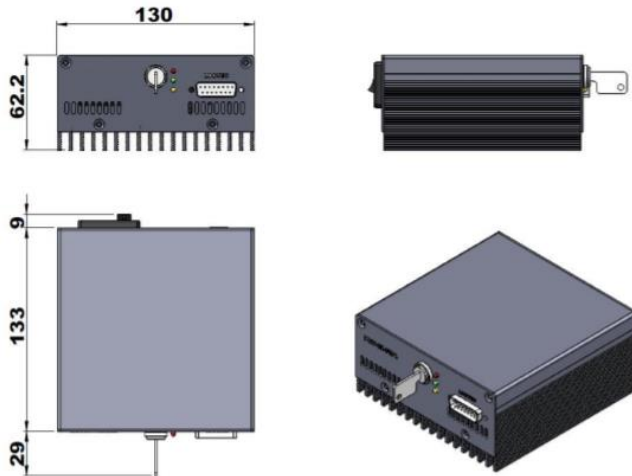
Outline Dimensions (unit: mm)

Laser Head

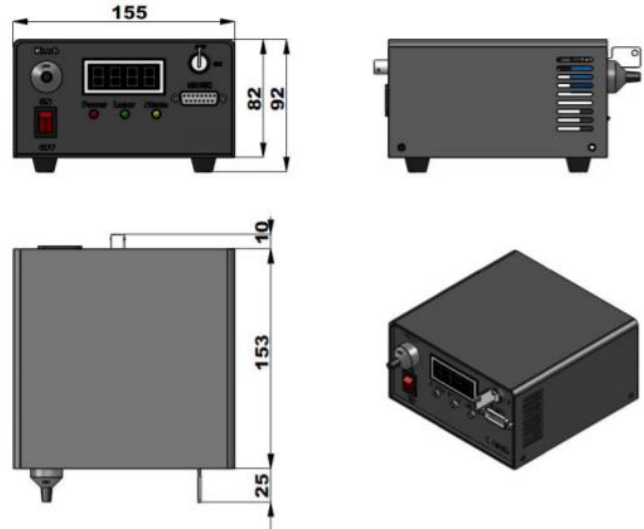


Power Supply Options

Elite Power Supply (Y=E)



Laboratory Power Supply (Y=L)



Note: The above specifications are subject to change without notice.