



## DLNE808 Series 808nm Narrow Linewidth Diode Laser System up to 20mW

### Overview

The DLNE808 series diode laser is ideal for applications that require a wavelength of 808nm and output power levels up to 20mW. The laser features narrow spectral linewidth, stable wavelength, ultra-compact design, long operating lifetime, easy operation and FDA-compliant system with driver. The laser is widely used in precision measurement, high resolution spectrum analysis, and many other applications.



### Specifications

<b>Model Number</b>		<b>DLNE808-XYPZ</b>
Wavelength (nm)		808±0.5
Output power (mW)		>10 ( <b>X=10</b> ), >20 ( <b>X=20</b> )
Transverse mode		Near TEM <sub>00</sub>
Operating mode		CW
Power stability (rms, over 4 hours)		<1% ( <b>P=D</b> )
Spectral linewidth (nm)		<0.06 ( <b>Z=M</b> ), <0.03 ( <b>Z=N</b> )
M <sup>2</sup> factor		<1.5
Beam diameter at aperture (1/e <sup>2</sup> , mm)		~3.0
Beam divergence, full angle (mrad)		<1.5
Polarization ratio		>50:1 Horizontal ±5 degree
Warm-up time (minutes)		<5
Beam height from base plate (mm)		30
Operating temperature (°C)		20-30
Dimensions of laser head (mm)		122.5(L)×65(W) ×50(H) mm <sup>3</sup>
Weight of laser head (kg)		1.0 kg
Power supply		
Elite Power Supply ( <b>Y=E</b> )	Input voltage	85-264VAC
	Dimensions	171(L) ×130(W) ×62.2(H) mm <sup>3</sup>
	Weight	1.2 kg
	Notes	Fixed output power
Expected lifetime (hours)		10,000
Warranty period		10 months
FDA Compliance		FDA CDRH Title 21 CFR 1040.10/11 Class IIIb

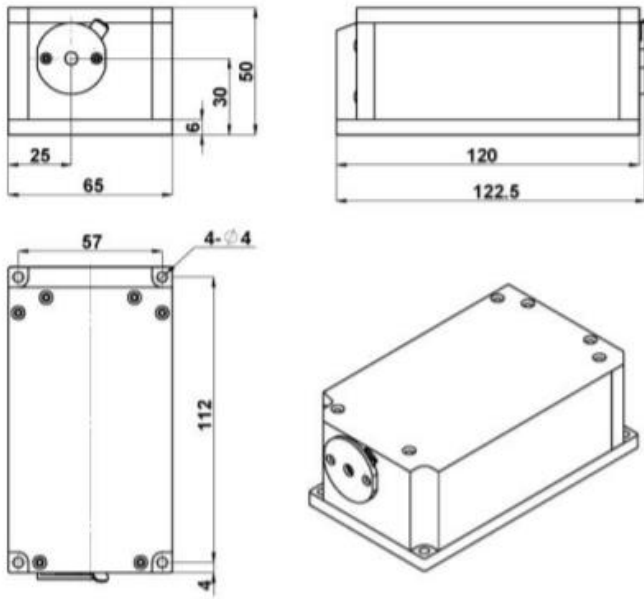
Remarks:

- Specifications of the CW laser is based on the laser performance at full power output after the specified warmup period. The stability of output power may change when output power is adjusted at a different power level.

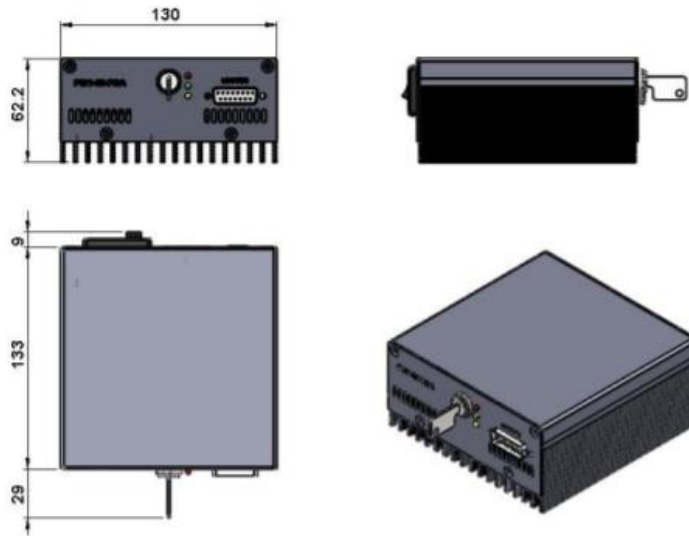


**Outline Dimensions (unit: mm)**

**Laser Head**



**Power Supply**



Note: The above specifications are subject to change without notice.