



DLNE730 Series 730nm Narrow Linewidth Diode Laser System up to 10mW

Overview

The DLNE730 series diode laser is ideal for applications that require a wavelength of 730nm and output power levels up to 10mW. The laser features narrow spectral linewidth, stable wavelength, ultra-compact design, long operating lifetime, easy operation and FDA-compliant system with driver. The laser is widely used in precision measurement, high resolution spectrum analysis, and many other applications.



Specifications

| | | | |
|---|---|---|--|
| Model Number | DLNE730-XYPZ | | |
| Wavelength (nm) | 730±3 | | |
| Output power (mW) | >5 (X=5), >10 (X=10) | | |
| Transverse mode | Near TEM ₀₀ | | |
| Operating mode | CW | | |
| Power stability (rms, over 4 hours) | <1% (P=D) | | |
| Spectral linewidth (nm) | <0.06 (Z=M), <0.03 (Z=N) | | |
| M ² factor | <1.5 | | |
| Beam diameter at aperture (1/e ² , mm) | ~2.0 | | |
| Beam divergence, full angle (mrad) | <1.5 | | |
| Warm-up time (minutes) | <5 | | |
| Beam height from base plate (mm) | 30 | | |
| Operating temperature (°C) | 20-30 | | |
| Dimensions of laser head (mm) | 122.5(L)×65(W) ×50(H) mm ³ | | |
| Weight of laser head (kg) | 1.0 kg | | |
| Power supply | | | |
| Elite Power Supply (Y=E) | Input voltage | 85-264VAC | |
| | Dimensions | 171(L) ×130(W) ×62.2(H) mm ³ | |
| | Weight | 1.2 kg | |
| | Notes | Fixed output power | |
| Expected lifetime (hours) | 10,000 | | |
| Warranty period | 10 months | | |
| FDA Compliance | FDA CDRH Title 21 CFR 1040.10/11 Class IIIb | | |

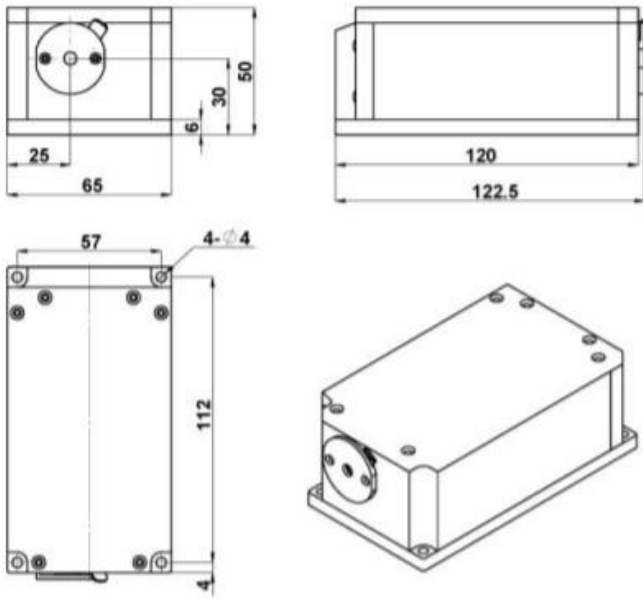
Remarks:

- Specifications of the CW laser is based on the laser performance at full power output after the specified warmup period. The stability of output power may change when output power is adjusted at a different power level.

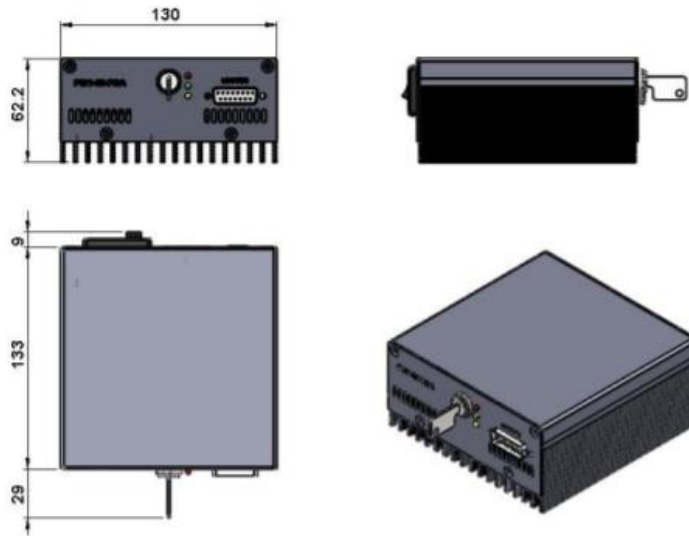


Outline Dimensions (unit: mm)

Laser Head



Power Supply



Note: The above specifications are subject to change without notice.