



DLLF465 Series 465nm Low Noise Diode Laser System up to 2000mW

Overview

The DLLF465 series diode laser is ideal for applications that require a wavelength of 465nm and output power levels up to 2000mW. The laser features a compact design, low noise, long operating lifetime, easy operation, and FDA-compliant system with driver. The laser is widely used in scientific research, biomedical, and many other applications.



Specifications

Model Number	DLLF465-XYPZQ	
Wavelength (nm)	465±5	
Output power (mW)	>1000 (X=1W), >2000 (X=2W)	
Transverse mode	Multimode	
Operating mode	CW	
Power stability (rms, over 4 hours)	<1% (P=D)	
Noise of amplitude (rms, 20Hz-20MHz)	<1% (Z=1)	
Beam diameter at aperture (1/e ² , mm)	~2.7x2.7	
Beam divergence, full angle (mrad)	1.4x0.2	
Polarization ratio	>50:1 Horizontal ±5 degree	
Warm-up time (minutes)	<5	
Beam height from base plate (mm)	45	
Operating temperature (°C)	10-35	
Dimensions of laser head (mm)	216.5(L)x88(W) x74(H) mm ³	
Weight of laser head (kg)	1.4 kg	
Power supply options		
High Power Elite Power Supply (Y=H)	Input voltage	85-264VAC
	Dimensions	275(L) x145(W) x104(H) mm ³
	Weight	2.1 kg
	Notes	Fixed output power
High Power Laboratory Power Supply (Y=M)	Input voltage	85-264VAC
	Dimensions	277(L) x145(W) x106(H) mm ³
	Weight	2.3 kg
	Notes	Adjustable output power
Modulation option	None (Q=0)	
	TTL	1Hz-1kHz (Q=T1), 1kHz-10kHz (Q=T2), 10kHz-30kHz (Q=T3)
	Analog	1Hz-1kHz (Q=A1), 1kHz-10kHz (Q=A2), 10kHz-30kHz (Q=A3)
Expected lifetime (hours)	10,000	
Warranty period	10 months	
FDA Compliance	FDA CDRH Title 21 CFR 1040.10/11 Class IV	

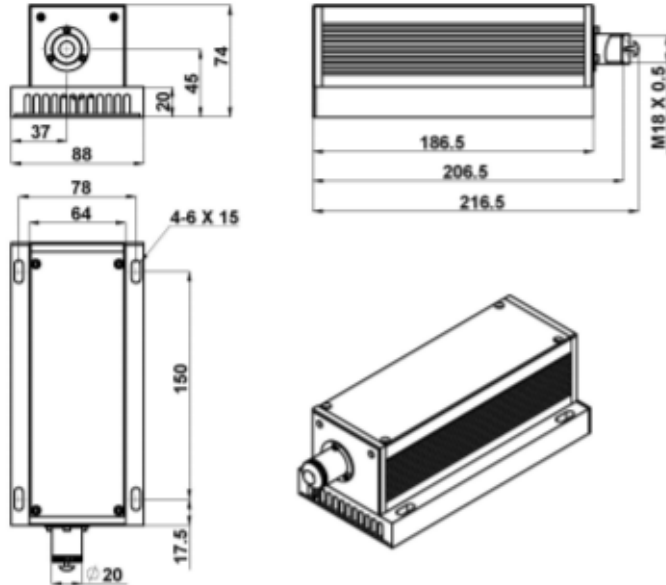
Remarks:

- Specifications of the CW laser is based on the laser performance at full power output after the specified warmup period. The stability of output power may change when output power is adjusted at a different power level.



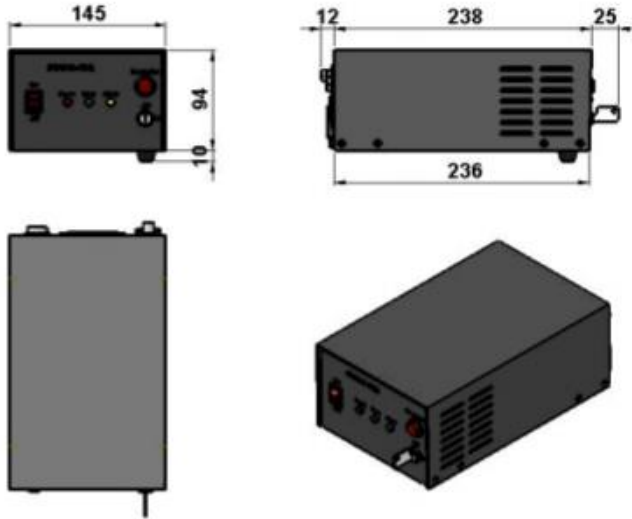
Outline Dimensions (unit: mm)

Laser Head

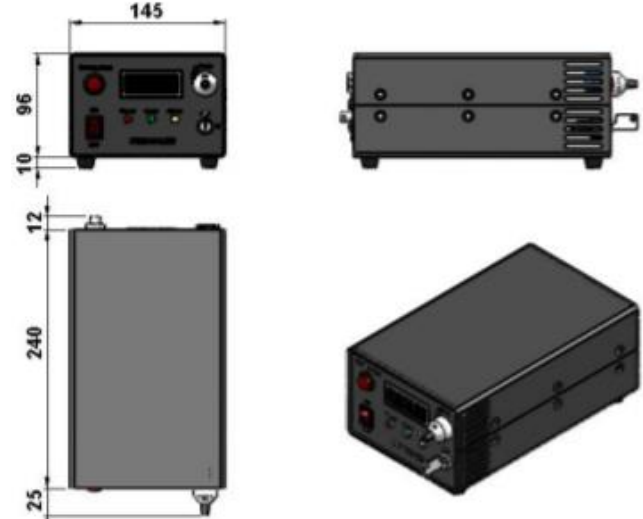


Power Supply Options

High Power Elite Power Supply (Y=H)



High Power Laboratory Power Supply (Y=M)



Note: The above specifications are subject to change without notice.