

DLL660 Series 660nm Low Noise Diode Laser System up to 1000mW

Overview

The DLL660 series diode laser is ideal for applications that require a wavelength of 660nm and output power levels up to 1000mW. The laser features low noise, compact design, long operating lifetime, easy operation, and FDA-compliant system with driver. The laser is widely used in measurement, spectrum analysis, laser lighting show, and many other applications.



Specifications

| Model Number | DLL660H-XYPAQ | | DLL660D-XYPZQ | |
|---|---|---|--|--|
| Wavelength (nm) | 660±5 | | | |
| Output power (mW) | >100 (X=100), >180 (X=180) | | >300 (X=300), >500 (X=500), >800 (X=800), >1000 (X=1W) | |
| Transverse mode | Near TEM ₀₀ | | Multimode | |
| Operating mode | CW | | | |
| Power stability (rms, over 4 hours) | <1% (P=D), <0.5% (P=S) | | | |
| Noise of amplitude (rms, 20Hz-20MHz) | <1% (Z=1) | | | |
| M ² factor | <1.5 | | - | |
| Beam diameter at aperture (1/e ² , mm) | ~3.0 | | ~5x8 | |
| Beam divergence, full angle (mrad) | <1.0 | | <2.5 | |
| Polarization ratio | >50:1 Horizontal ±5 degree | | - | |
| Warm-up time (minutes) | <5 | | <5 | |
| Pointing stability after warm-up (mrad) | <0.05 | | - | |
| Beam height from base plate (mm) | 24.8 | | 24.8 | |
| Operating temperature (°C) | 10-35 | | 10-35 | |
| Dimensions of laser head (mm) | 143.5(L)x73(W) x46.2(H) | | 146(L)x73(W) x46.2(H) | |
| Weight of laser head (kg) | 0.7 | | 0.7 | |
| Power supply options | | | | |
| Elite Power Supply (Y=E) | Input voltage | 85-264VAC | | |
| | Dimensions | 171(L) x130(W) x62.2(H) mm ³ | | |
| | Weight | 1.2 kg | | |
| | Notes | Fixed output power, frequency 1Hz-30kHz | | |
| Laboratory Power Supply (Y=L) | Input voltage | 85-264VAC | | |
| | Dimensions | 188.6(L) x155(W) x92(H) mm ³ | | |
| | Weight | 1.5 kg | | |
| | Notes | Adjustable output power, frequency 1Hz-30kHz | | |
| A Version Laboratory Power Supply (Y=T) | Input voltage | 100-240VAC | | |
| | Dimensions | 162(L) x144(W) x70(H) mm ³ | | |
| | Weight | 1.0 kg | | |
| | Notes | Adjustable output power, LCD display, frequency 30kHz-100kHz | | |
| Modulation option | None (Q=0) | | | |
| | TTL | 1Hz-1kHz (Q=T1), 1kHz-10kHz (Q=T2), 10kHz-30kHz (Q=T3), 30kHz-100kHz (Q=T4) | | |
| | Analog | 1Hz-1kHz (Q=A1), 1kHz-10kHz (Q=A2), 10kHz-30kHz (Q=A3), 30kHz-100kHz (Q=A4) | | |
| Expected lifetime (hours) | 10,000 | | | |
| Warranty period | 10 months | | | |
| FDA Compliance | FDA CDRH Title 21 CFR 1040.10/11 Class IIIb | | FDA CDRH Title 21 CFR 1040.10/11 Class IV | |

Remarks:

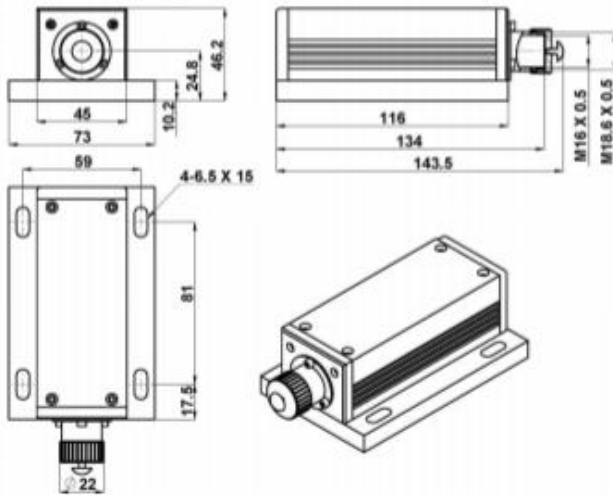
- Specifications of the CW laser is based on the laser performance at full power output after the specified warmup period. The stability of output power may change when output power is adjusted at a different power level.



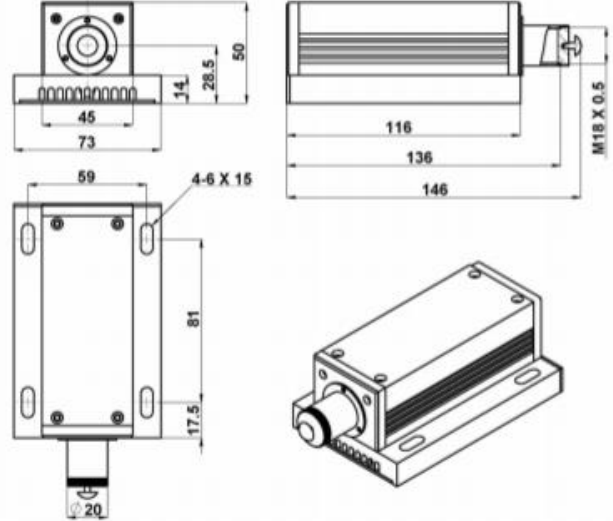
Outline Dimensions (unit: mm)

Laser Head

For DLL660H

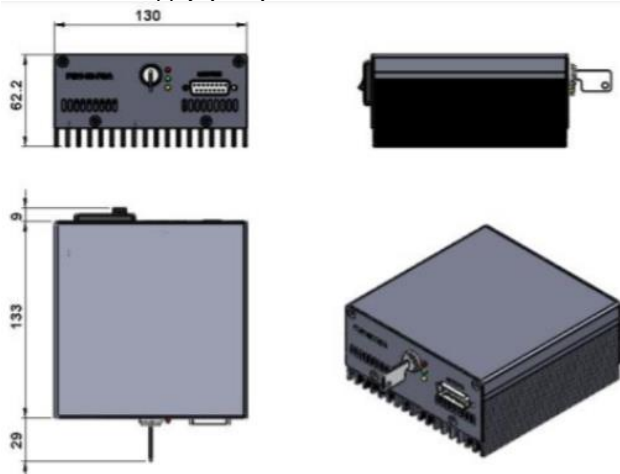


For DLL660D

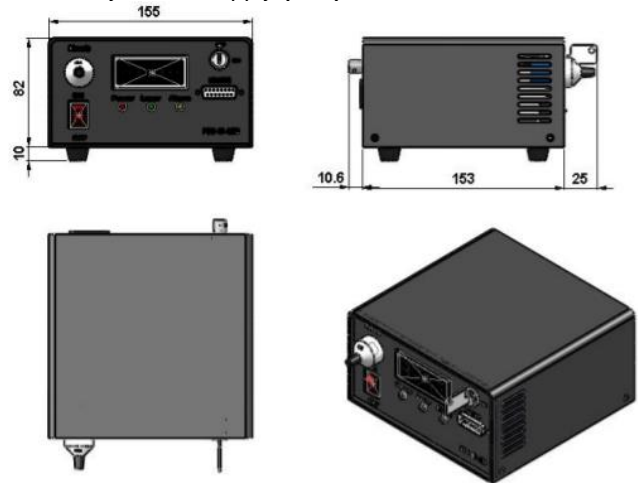


Power Supply Options

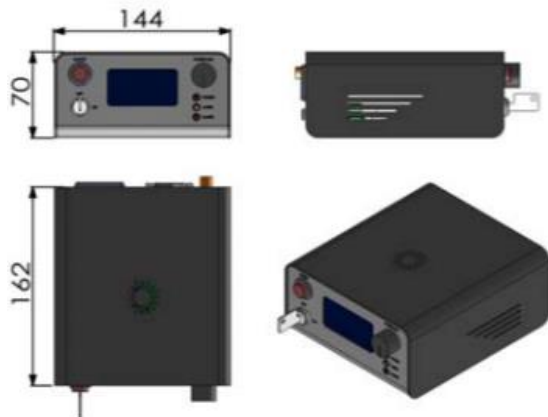
Elite Power Supply (Y=E)



Laboratory Power Supply (Y=L)



A Version Laboratory Power Supply (Y=T)



Note: The above specifications are subject to change without notice.