



DLD405 Series 405nm Diode Laser System up to 2000mW

Overview

The DLD405 series diode laser is ideal for applications that require a wavelength of 405nm and output power levels up to 2000mW. The laser features a compact design, long operating lifetime, easy operation, and FDA-compliant system with driver. The laser is widely used in measurement, communication, spectrum analysis, and many other applications.



Specifications

| | | |
|--|---|---|
| Model Number | DLD405-XYPQ | |
| Wavelength (nm) | 405±5 | |
| Output power (mW) | ~1000 (X=1W) | ~2000 (X=2W) |
| Operating mode | CW | |
| Power stability (rms, over 4 hours) | <3% (P=E), <1% (P=D) | |
| Beam diameter at aperture (mm) | ~4x3 | ~4x8 |
| Beam divergence, full angle (mrad) | <0.5x0.3 | |
| Polarization direction | Horizontal + Vertical | |
| Warm-up time (minutes) | <5 | |
| Beam height from base plate (mm) | 68.2 | |
| Operating temperature (°C) | 10-35 | |
| Dimensions of laser head (mm) | 167.1(L)×126(W) ×90.2(H) mm ³ | |
| Weight of laser head (kg) | 3.2 kg | |
| Power supply options | | |
| N Version Elite Power Supply (Y=D) | Input voltage | 100-240VAC |
| | Dimensions | 307(L) ×150(W) ×106(H) mm ³ |
| | Weight | 3.0 kg |
| | Notes | Fixed output power, frequency 1Hz-30kHz |
| N Version Laboratory Power Supply (Y=V) | Input voltage | 100-240VAC |
| | Dimensions | 307(L) ×150(W) ×106(H) mm ³ |
| | Weight | 3.0 kg |
| | Notes | Adjustable output power, frequency 1Hz-30kHz |
| Modulation option | | None (Q=0) |
| | TTL | 1Hz-1kHz (Q=T1), 1kHz-10kHz (Q=T2), 10kHz-30kHz (Q=T3) |
| | Analog | 1Hz-1kHz (Q=A1), 1kHz-10kHz (Q=A2), 10kHz-30kHz (Q=A3) |
| Expected lifetime (hours) | 10,000 | |
| Warranty period | 10 months | |
| FDA Compliance | FDA CDRH Title 21 CFR 1040.10/11 Class IV | |

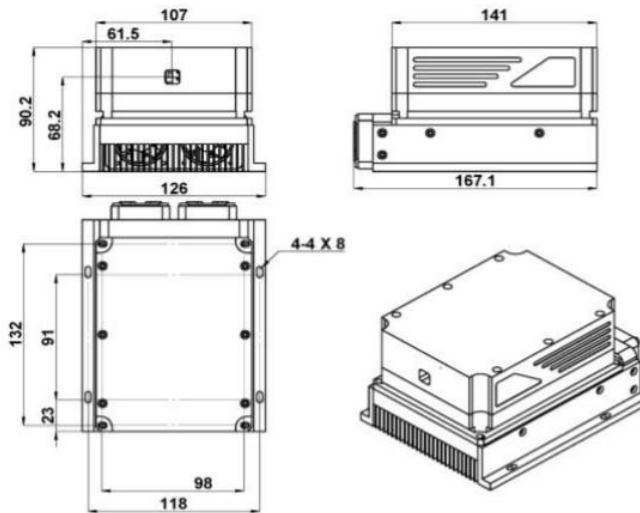
Remarks:

- Specifications of the CW laser is based on the laser performance at full power output after the specified warmup period. The stability of output power may change when output power is adjusted at a different power level.



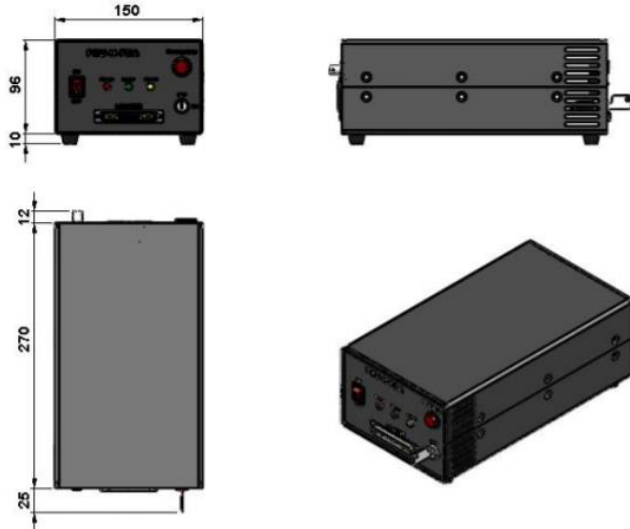
Outline Dimensions (unit: mm)

Laser Head

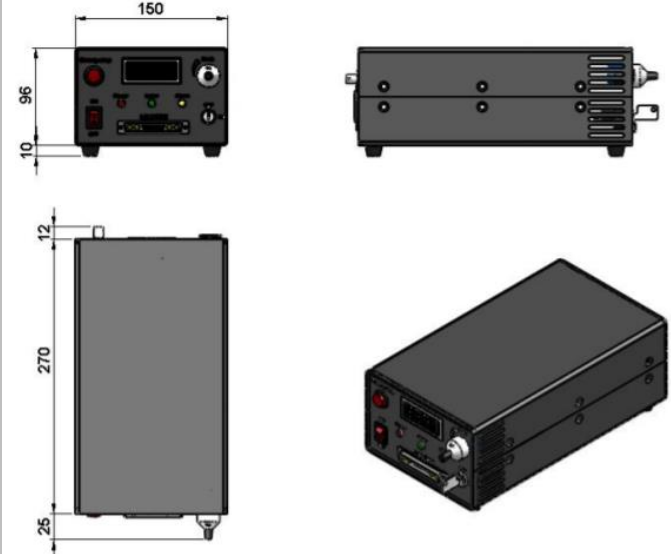


Power Supply Options

N Version Elite Power Supply (Y=D)



N Version Laboratory Power Supply (Y=V)



Note: The above specifications are subject to change without notice.