



## DL852 Series 852nm Diode Laser System up to 1500mW

### Overview

The DL852 series diode laser is ideal for applications that require a wavelength of 852nm and output power levels up to 1500mW. The laser features a compact design, long operating lifetime, easy operation, and FDA-compliant system with driver. The laser is widely used in measurement, spectrum analysis, and many other applications.



### Specifications

Model Number	DL852H-XYPQ	DL852R-XYPQ		DL852-XYPQ
Wavelength (nm)	852±10	852±10		852±10
Output power (mW)	>20 (X=20), >30 (X=30)	>100 (X=100)	>300 (X=300)	>1000 (X=1W), >1500 (X=1H)
Transverse mode	Near TEM <sub>00</sub>	Round		Multimode
Operating mode	CW	CW		CW
Power stability (rms, over 4 hours)	<1% (P=D), <0.5% (P=S)	<1% (P=D)		<1% (P=D), <0.5% (P=S)
Beam diameter at aperture (1/e <sup>2</sup> , mm)	~4.0	~2.0		~5x8
Beam divergence, full angle (mrad)	<1.0	~10	~20	<3.0
Polarization ratio	>50:1 Horizontal ±5 degree	-		-
Warm-up time (minutes)	<5	<5		<5
Pointing stability after warm-up (mrad)	<0.05	-		-
Beam height from base plate (mm)	24.8	24.8		24.8
Operating temperature (°C)	10-35	10-35		10-35
Dimensions of laser head (mm)	143.5(L)×73(W) ×46.2(H)	143.5(L)×73(W) ×46.2(H)		146(L)×73(W) ×46.2(H)
Weight of laser head (kg)	0.7 kg	0.7 kg		0.7 kg
Power supply options				
Elite Power Supply (Y=E)	Input voltage	85-264VAC		
	Dimensions	171(L) ×130(W) ×62.2(H) mm <sup>3</sup>		
	Weight	1.2 kg		
	Notes	Fixed output power, frequency 1Hz-30kHz		
Laboratory Power Supply (Y=L)	Input voltage	85-264VAC		
	Dimensions	188.6(L) ×155(W) ×92(H) mm <sup>3</sup>		
	Weight	1.5 kg		
	Notes	Adjustable output power, frequency 1Hz-30kHz		
A Version Laboratory Power Supply (Y=T)	Input voltage	100-240VAC		
	Dimensions	162(L) ×144(W) ×70(H) mm <sup>3</sup>		
	Weight	1.0 kg		
	Notes	Adjustable output power, LCD display, frequency 30kHz-100kHz		
Modulation option		None (Q=0)		
	TTL	1Hz-1kHz (Q=T1), 1kHz-10kHz (Q=T2), 10kHz-30kHz (Q=T3), 30kHz-100kHz (Q=T4)		
	Analog	1Hz-1kHz (Q=A1), 1kHz-10kHz (Q=A2), 10kHz-30kHz (Q=A3), 30kHz-100kHz (Q=A4)		
Expected lifetime (hours)	10,000			
Warranty period	10 months			
FDA Compliance	FDA CDRH Title 21 CFR 1040.10/11 Class IIIb	FDA CDRH Title 21 CFR 1040.10/11 Class IIIb	FDA CDRH Title 21 CFR 1040.10/11 Class IIIb	FDA CDRH Title 21 CFR 1040.10/11 Class IV

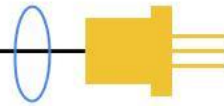
#### Remarks:

- Specifications of the CW laser is based on the laser performance at full power output after the specified warmup period. The stability of output power may change when output power is adjusted at a different power level.

**Lasermate Group, Inc.**

19608 Camino De Rosa, Walnut, CA 91789, USA

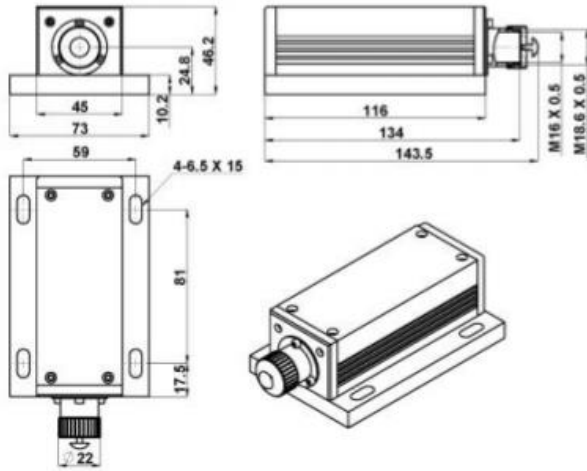
Tel: (909)718-0999 | Fax: (909)718-0998 | E-mail: [info@lasermate.com](mailto:info@lasermate.com) | URL: <http://www.lasermate.com>



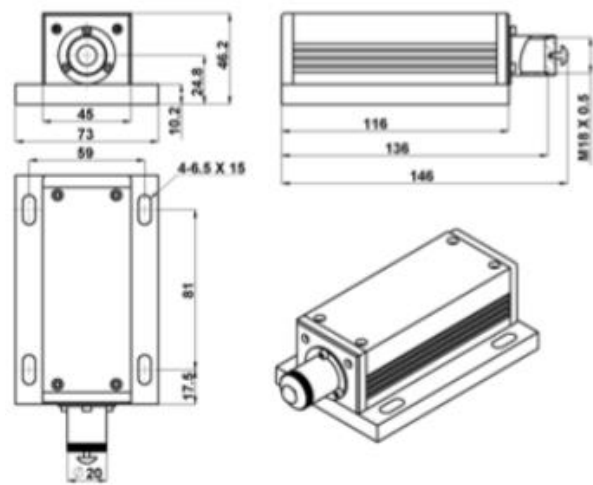
**Outline Dimensions (unit: mm)**

**Laser Head**

For DL852H and DL852R

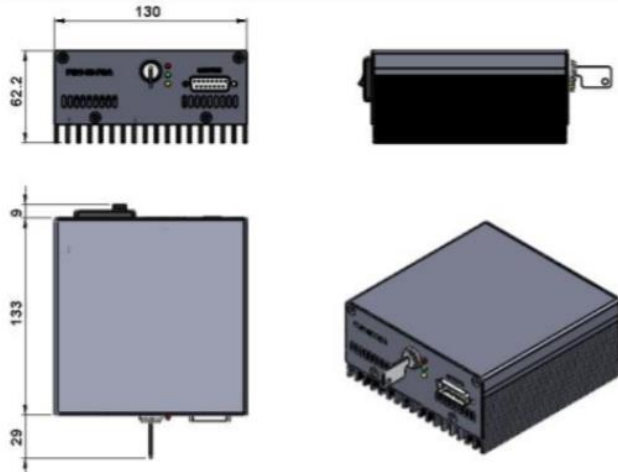


For DL852

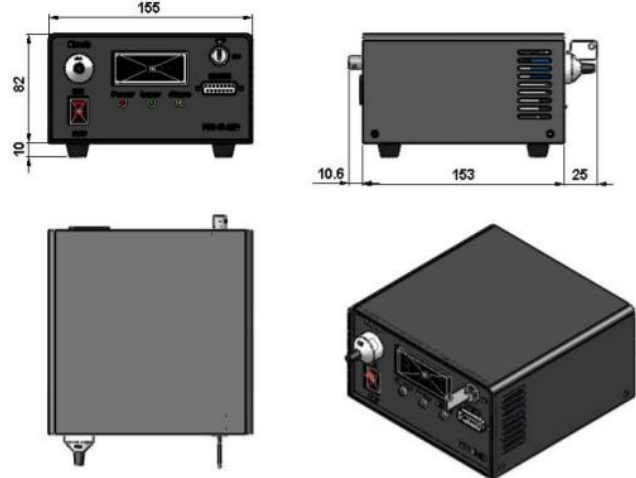


**Power Supply Options**

Elite Power Supply (Y=E)



Laboratory Power Supply (Y=L)



A Version Laboratory Power Supply (Y=T)



Note: The above specifications are subject to change without notice.