



DL685 Series 685nm Diode Laser System up to 20mW

Overview

The DL685 series diode laser is ideal for applications that require a wavelength of 685nm and output power levels up to 20mW. The laser features a compact design, long operating lifetime, easy operation, and FDA-compliant system with driver. The laser is widely used in measurement, spectrum analysis, laser lighting show, and many other applications.



Specifications

Model Number	DL685-XYPQ	
Wavelength (nm)	685±5	
Output power (mW)	>10 (X=10), >20 (X=20)	
Transverse mode	Near TEM ₀₀	
Operating mode	CW	
Power stability (rms, over 4 hours)	<1% (P=D), <0.5% (P=S)	
M ² factor	<20	
Beam diameter at aperture (1/e ² , mm)	~4.0	
Beam divergence, full angle (mrad)	<0.5	
Polarization ratio	>50:1	
Warm-up time (minutes)	<5	
Pointing stability after warm-up (mrad)	<0.05	
Beam height from base plate (mm)	24.8	
Operating temperature (°C)	10-35	
Dimensions of laser head (mm)	139(L)×73(W) ×46.2(H) mm ³	
Weight of laser head (kg)	0.6 kg	
Power supply options		
Elite Power Supply (Y=E)	Input voltage	90-264VAC
	Dimensions	133(L) ×130(W) ×65(H) mm ³
	Weight	1.2 kg
	Notes	Fixed output power
Laboratory Power Supply (Y=L)	Input voltage	90-264VAC
	Dimensions	153(L) ×155(W) ×92(H) mm ³
	Weight	1.5 kg
	Notes	Adjustable output power
Modulation option	None (Q=0)	
	TTL	1Hz-5kHz (Q=T1), 1Hz-10kHz (Q=T2), 1Hz-30kHz (Q=T3)
	Analog	1Hz-5kHz (Q=A1), 1Hz-10kHz (Q=A2), 1Hz-30kHz (Q=A3)
Expected lifetime (hours)	10,000	
Warranty period	10 months	
FDA Compliance	FDA CDRH Title 21 CFR 1040.10/11 Class IIIb	

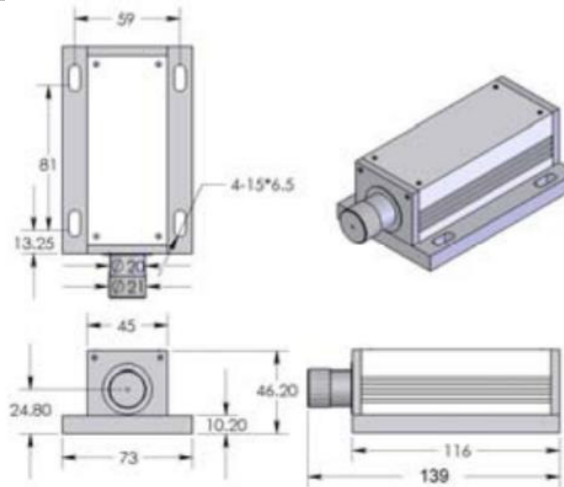
Remarks:

- Specifications of the CW laser is based on the laser performance at full power output after the specified warmup period. The stability of output power may change when output power is adjusted at a different power level.



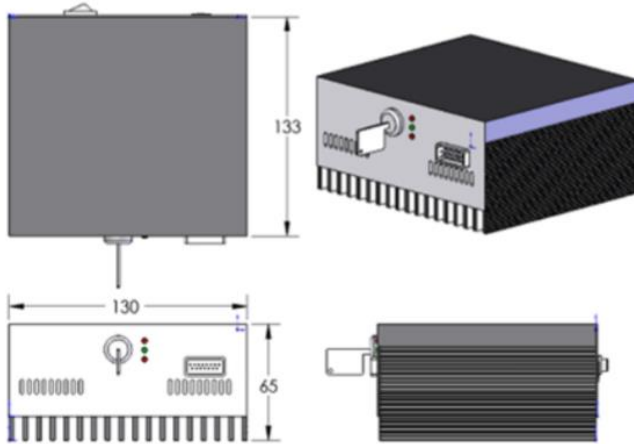
Outline Dimensions (unit: mm)

Laser Head



Power Supply Options

Elite Power Supply (Y=E)



Laboratory Power Supply (Y=L)



Note: The above specifications are subject to change without notice.