



DL665 Series 665nm Diode Laser System up to 800mW

Overview

The DL665 series diode laser is ideal for applications that require a wavelength of 665nm and output power levels up to 800mW. The laser features a compact design, long operating lifetime, easy operation, and FDA-compliant system with driver. The laser is widely used in measurement, spectrum analysis, laser lighting show, and many other applications.

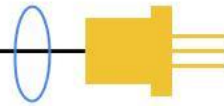


Specifications

| | | |
|---|--|---|
| Model Number | DL665-XYPQ | |
| Wavelength (nm) | 665±5 | |
| Output power (mW) | >100 (X=100), >300 (X=300), >500 (X=500), >800 (X=800) | |
| Transverse mode | Multimode | |
| Operating mode | CW | |
| Power stability (rms, over 4 hours) | <1% (P=D), <0.5% (P=S) | |
| M ² factor | <1.5 | |
| Beam diameter at aperture (1/e ² , mm) | ~5x8 | |
| Beam divergence, full angle (mrad) | <3.0 | |
| Warm-up time (minutes) | <5 | |
| Beam height from base plate (mm) | 24.8 | |
| Operating temperature (°C) | 10-35 | |
| Dimensions of laser head (mm) | 146(L)x73(W) x46.2(H) mm ³ | |
| Weight of laser head (kg) | 0.7 kg | |
| Power supply options | | |
| Elite Power Supply (Y=E) | Input voltage | 85-264VAC |
| | Dimensions | 171(L) x130(W) x62.2(H) mm ³ |
| | Weight | 1.2 kg |
| | Notes | Fixed output power |
| Laboratory Power Supply (Y=L) | Input voltage | 85-264VAC |
| | Dimensions | 188.6(L) x155(W) x92(H) mm ³ |
| | Weight | 1.5 kg |
| | Notes | Adjustable output power |
| Modulation option | | None (Q=0) |
| | TTL | 1Hz-1kHz (Q=T1), 1kHz-10kHz (Q=T2), 10kHz-30kHz (Q=T3) |
| | Analog | 1Hz-1kHz (Q=A1), 1kHz-10kHz (Q=A2), 10kHz-30kHz (Q=A3) |
| Expected lifetime (hours) | 10,000 | |
| Warranty period | 10 months | |
| FDA Compliance | FDA CDRH Title 21 CFR 1040.10/11 Class IV | |

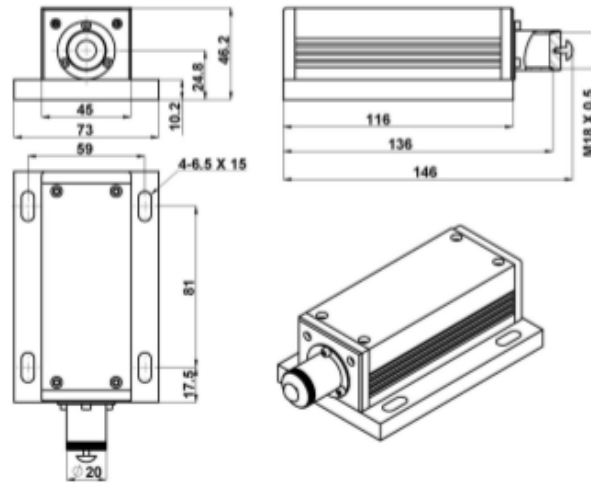
Remarks:

- Specifications of the CW laser is based on the laser performance at full power output after the specified warmup period. The stability of output power may change when output power is adjusted at a different power level.



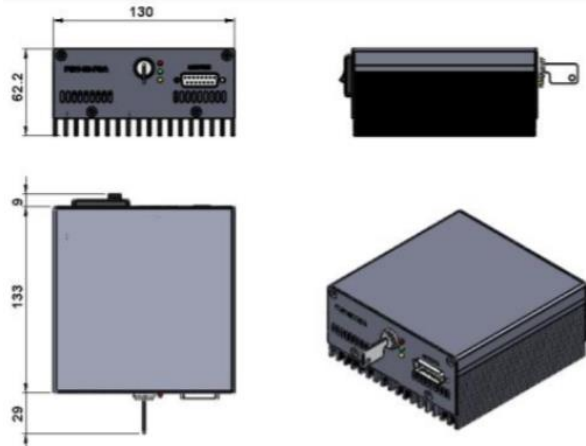
Outline Dimensions (unit: mm)

Laser Head

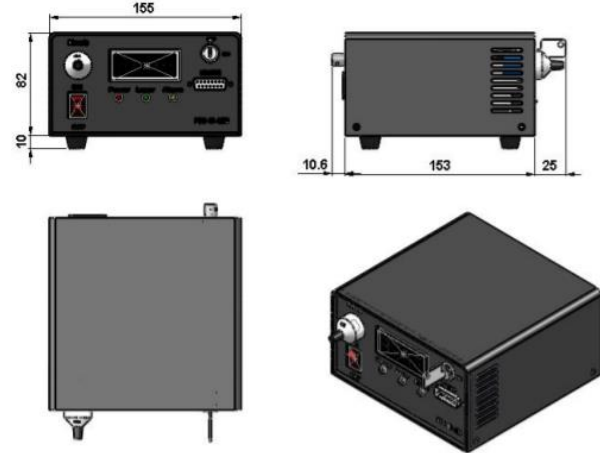


Power Supply Options

Elite Power Supply (Y=E)



Laboratory Power Supply (Y=L)



Note: The above specifications are subject to change without notice.