



## DL660 Series 660nm Diode Laser System up to 1000mW

### Overview

The DL660 series diode laser is ideal for applications that require a wavelength of 660nm and output power levels up to 1000mW. The laser features a compact design, long operating lifetime, easy operation, and FDA-compliant system with driver. The laser is widely used in measurement, spectrum analysis, laser lighting show, and many other applications.



### Specifications

Model Number	DL660H-XYPQ		DL660R-XYPQ		DL660-XYPQ
Wavelength (nm)	660±5				
Output power (mW)	>100 ( <b>X=100</b> ), >180 ( <b>X=180</b> )		>50 ( <b>X=50</b> ), >100 ( <b>X=100</b> )	>150 ( <b>X=150</b> ), >200 ( <b>X=200</b> )	>300 ( <b>X=300</b> ), >500 ( <b>X=500</b> ), >800 ( <b>X=800</b> ), >1000 ( <b>X=1W</b> )
Transverse mode	Near TEM <sub>00</sub>		Round		Multimode
Operating mode	CW				
Power stability (rms, over 4 hours)	<1% ( <b>P=D</b> ), <0.5% ( <b>P=S</b> )		<1% ( <b>P=D</b> )		<1% ( <b>P=D</b> ), <0.5% ( <b>P=S</b> )
M <sup>2</sup> factor	<1.5		-		-
Beam diameter at aperture (1/e <sup>2</sup> , mm)	~3.0		~2.0		~4x9
Beam divergence, full angle (mrad)	<1.0		~10	~20	<2.5
Polarization ratio	>50:1 Horizontal ±5 degree		-		-
Warm-up time (minutes)	<5		<5		<5
Pointing stability after warm-up (mrad)	<0.05		-		-
Beam height from base plate (mm)	24.8		24.8		24.8
Operating temperature (°C)	10-35		10-35		10-35
Dimensions of laser head (mm)	143.5(L)×73(W) ×46.2(H)		143.5(L)×73(W) ×46.2(H)		146(L)×73(W) ×46.2(H)
Weight of laser head (kg)	0.7		0.7		0.7
Power supply options					
Elite Power Supply ( <b>Y=E</b> )	Input voltage	85-264VAC			
	Dimensions	171(L) ×130(W) ×62.2(H) mm <sup>3</sup>			
	Weight	1.2 kg			
	Notes	Fixed output power, frequency 1Hz-30kHz			
Laboratory Power Supply ( <b>Y=L</b> )	Input voltage	85-264VAC			
	Dimensions	188.6(L) ×155(W) ×92(H) mm <sup>3</sup>			
	Weight	1.5 kg			
	Notes	Adjustable output power, frequency 1Hz-30kHz			
A Version Laboratory Power Supply ( <b>Y=T</b> )	Input voltage	100-240VAC			
	Dimensions	162(L) ×144(W) ×70(H) mm <sup>3</sup>			
	Weight	1.0 kg			
	Notes	Adjustable output power, LCD display, frequency 30kHz-100kHz			
Modulation option		None ( <b>Q=0</b> )			
	TTL	1Hz-1kHz ( <b>Q=T1</b> ), 1kHz-10kHz ( <b>Q=T2</b> ), 10kHz-30kHz ( <b>Q=T3</b> ), 30kHz-100kHz ( <b>Q=T4</b> )			
	Analog	1Hz-1kHz ( <b>Q=A1</b> ), 1kHz-10kHz ( <b>Q=A2</b> ), 10kHz-30kHz ( <b>Q=A3</b> ), 30kHz-100kHz ( <b>Q=A4</b> )			
Expected lifetime (hours)	10,000				
Warranty period	10 months				
FDA Compliance	FDA CDRH Title 21 CFR 1040.10/11 Class IIIb		FDA CDRH Title 21 CFR 1040.10/11 Class IIIb		FDA CDRH Title 21 CFR 1040.10/11 Class IV

#### Remarks:

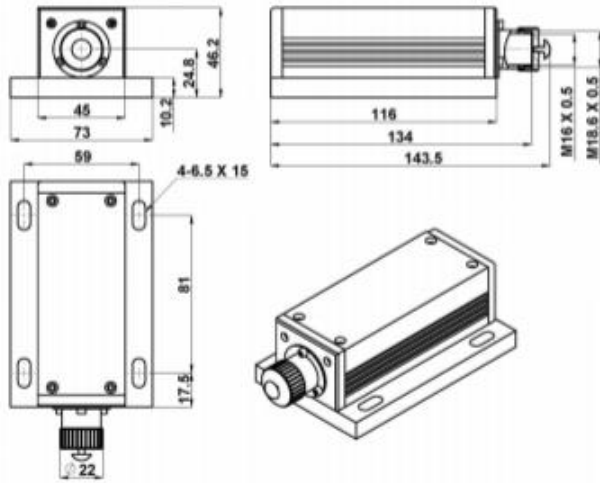
- Specifications of the CW laser is based on the laser performance at full power output after the specified warmup period. The stability of output power may change when output power is adjusted at a different power level.



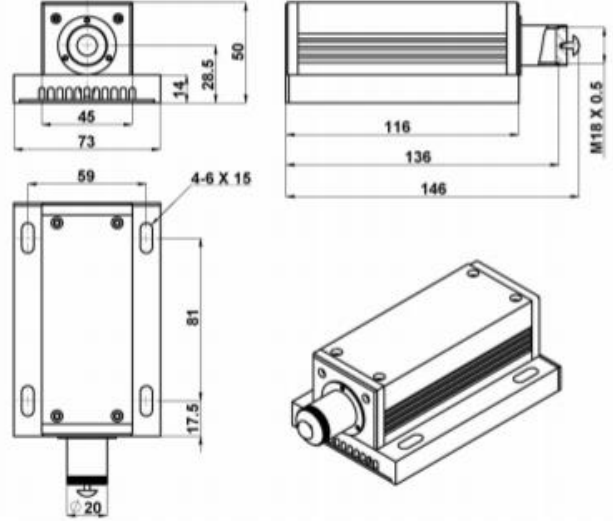
**Outline Dimensions (unit: mm)**

**Laser Head**

For DL660H and DL660R

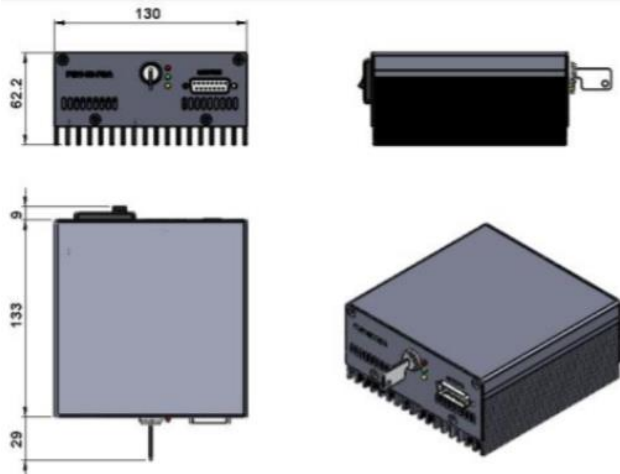


For DL660

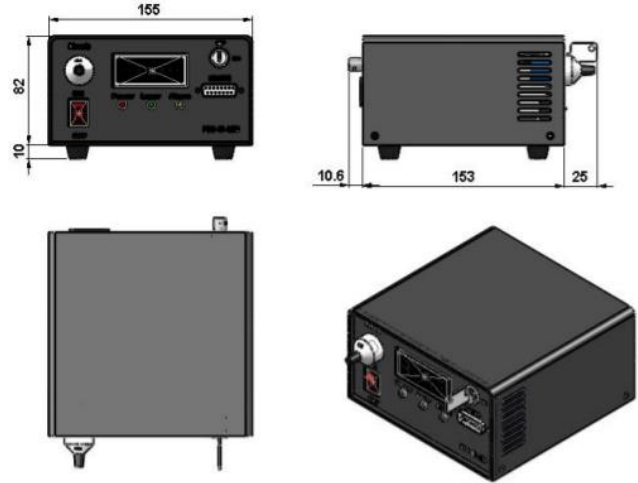


**Power Supply Options**

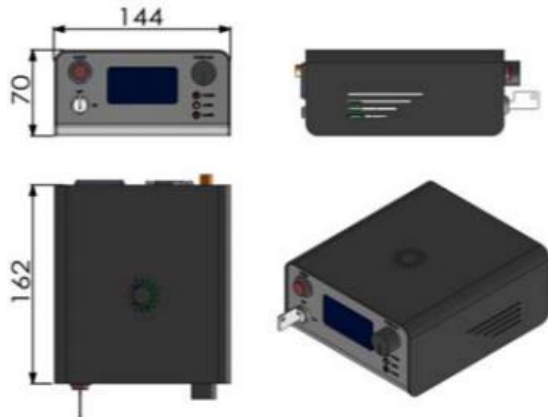
Elite Power Supply (Y=E)



Laboratory Power Supply (Y=L)



A Version Laboratory Power Supply (Y=T)



Note: The above specifications are subject to change without notice.