



DL655 Series 655nm Diode Laser System up to 1000mW

Overview

The DL655 series diode laser is ideal for applications that require a wavelength of 655nm and output power levels up to 1000mW. The laser features a compact design, long operating lifetime, easy operation, and FDA-compliant system with driver. The laser is widely used in measurement, spectrum analysis, laser lighting show, and many other applications.



Specifications

Model Number	DL655H-XYPQ	DL655R-XYPQ		DL655-XYPQ
Wavelength (nm)	655±10			
Output power (mW)	>100 (X=100), >180 (X=180)	>50 (X=50), >100 (X=100)	>150 (X=150), >200 (X=200)	>300 (X=300), >500 (X=500), >800 (X=800), >1000 (X=1W)
Transverse mode	Near TEM ₀₀	Round		Multimode
Operating mode	CW	CW		CW
Power stability (rms, over 4 hours)	<1% (P=D), <0.5% (P=S)	<1% (P=D)		<1% (P=D), <0.5% (P=S)
M ² factor	<1.5	-		<1.5
Beam diameter at aperture (1/e ² , mm)	~3.0	~2.0	~20	~10x5
Beam divergence, full angle (mrad)	<1.0	~10	~20	<3.0
Polarization ratio	>50:1 Horizontal ±5 degree	-		-
Warm-up time (minutes)	<5	<5		<5
Pointing stability after warm-up (mrad)	<0.05	-		-
Beam height from base plate (mm)	24.8	24.8		24.8
Operating temperature (°C)	10-35	10-35		10-35
Dimensions of laser head (mm)	143.5(L)×73(W) ×46.2(H)	143.5(L)×73(W) ×46.2(H)		146(L)×73(W) ×46.2(H)
Weight of laser head (kg)	0.7	0.7		0.7
Power supply options				
Elite Power Supply (Y=E)	Input voltage	85-264VAC		
	Dimensions	171(L) ×130(W) ×62.2(H) mm ³		
	Weight	1.2 kg		
	Notes	Fixed output power, frequency 1Hz-30kHz		
Laboratory Power Supply (Y=L)	Input voltage	85-264VAC		
	Dimensions	188.6(L) ×155(W) ×92(H) mm ³		
	Weight	1.5 kg		
	Notes	Adjustable output power, frequency 1Hz-30kHz		
A Version Laboratory Power Supply (Y=T)	Input voltage	100-240VAC		
	Dimensions	162(L) ×144(W) ×70(H) mm ³		
	Weight	1.0 kg		
	Notes	Adjustable output power, LCD display, frequency 30kHz-100kHz		
Modulation option		None (Q=0)		
	TTL	1Hz-1kHz (Q=T1), 1kHz-10kHz (Q=T2), 10kHz-30kHz (Q=T3), 30kHz-100kHz (Q=T4)		
	Analog	1Hz-1kHz (Q=A1), 1kHz-10kHz (Q=A2), 10kHz-30kHz (Q=A3), 30kHz-100kHz (Q=A4)		
Expected lifetime (hours)	10,000			
Warranty period	10 months			
FDA Compliance	FDA CDRH Title 21 CFR 1040.10/11 Class IIIb	FDA CDRH Title 21 CFR 1040.10/11 Class IIIb	FDA CDRH Title 21 CFR 1040.10/11 Class IIIb	FDA CDRH Title 21 CFR 1040.10/11 Class IV

Remarks:

- Specifications of the CW laser is based on the laser performance at full power output after the specified warmup period. The stability of output power may change when output power is adjusted at a different power level.

Lasermate Group, Inc.

19608 Camino De Rosa, Walnut, CA 91789, USA

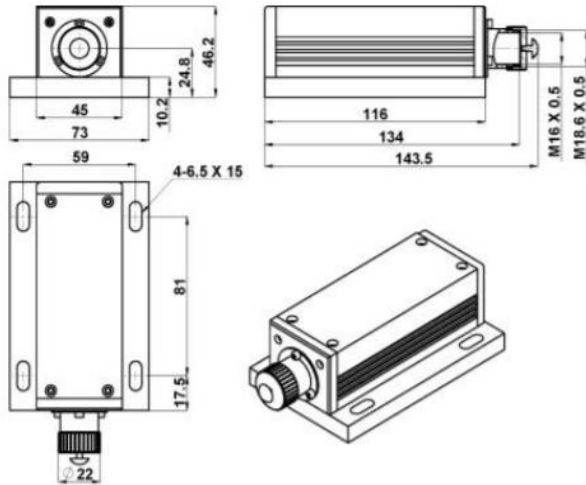
Tel: (909)718-0999 | Fax: (909)718-0998 | E-mail: info@lasermate.com | URL: <http://www.lasermate.com>



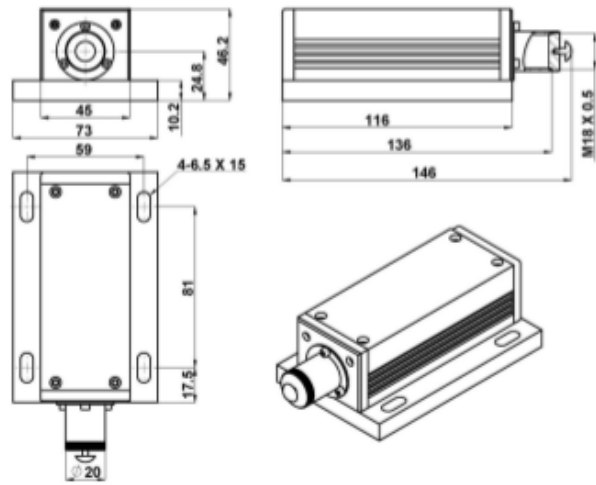
Outline Dimensions (unit: mm)

Laser Head

For DL655H and DL655R

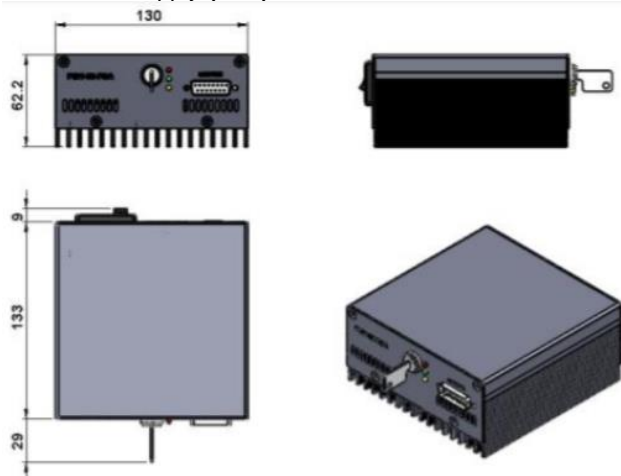


For DL655

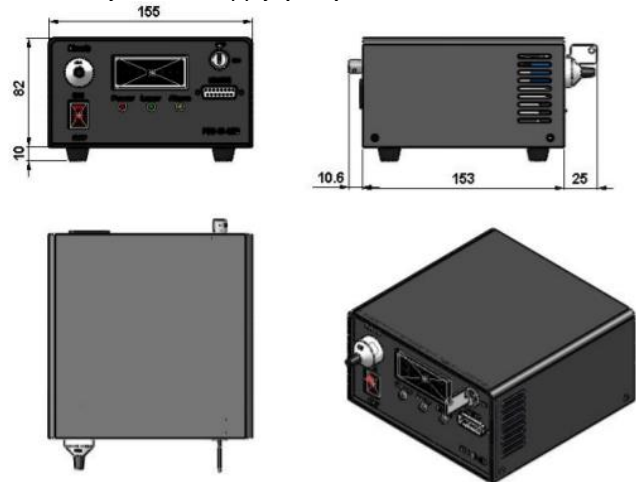


Power Supply Options

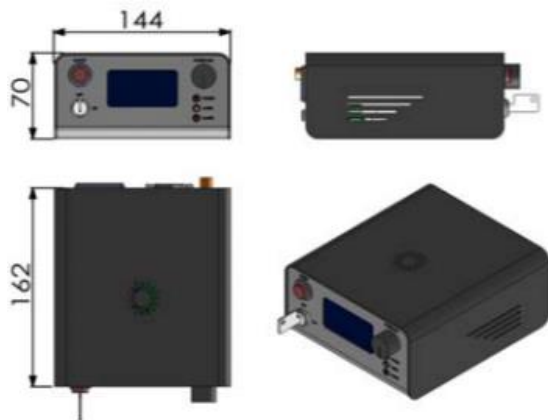
Elite Power Supply (Y=E)



Laboratory Power Supply (Y=L)



A Version Laboratory Power Supply (Y=T)



Note: The above specifications are subject to change without notice.