



DL1310 Series 1310nm Diode Laser System up to 800mW

Overview

The DL1310 series diode laser is ideal for applications that require a wavelength of 1310nm and output power levels up to 800mW. The laser features a compact design, long operating lifetime, easy operation, and FDA-compliant system with driver. The laser is widely used in measurement, communication, spectrum analysis, and many other applications.



Specifications

Model Number	DL1310H-XYPQ	DL1310-XYPQ
Wavelength (nm)	1310±20	1310±20
Output power (mW)	>10 (X=10)	>100 (X=100), >300 (X=300), >500 (X=500), >800 (X=800)
Transverse mode	Near TEM ₀₀	Multimode
Operating mode	CW	CW
Power stability (rms, over 4 hours)	<1% (P=D)	<1% (P=D)
Beam diameter at aperture (1/e ² , mm)	~1.5	~5x8
Beam divergence, full angle (mrad)	<2.0	<3.0
Warm-up time (minutes)	<5	<5
Beam height from base plate (mm)	24.8	24.8
Operating temperature (°C)	10-35	10-35
Dimensions of laser head (mm)	143.5(L)×73(W) ×46.2(H)	146(L)×73(W) ×46.2(H)
Weight of laser head (kg)	0.7 kg	0.7 kg
Power supply options		
Elite Power Supply (Y=E)	Input voltage	90-264VAC
	Dimensions	171(L) ×130(W) ×62.2(H) mm ³
	Weight	1.2 kg
	Notes	Fixed output power, frequency 1Hz-30kHz
Laboratory Power Supply (Y=L)	Input voltage	90-264VAC
	Dimensions	188.6(L) ×155(W) ×92(H) mm ³
	Weight	1.5 kg
	Notes	Adjustable output power, frequency 1Hz-30kHz
A Version Laboratory Power Supply (Y=T)	Input voltage	100-240VAC
	Dimensions	162(L) ×144(W) ×70(H) mm ³
	Weight	1.0 kg
	Notes	Adjustable output power, LCD display, frequency 30kHz-100kHz
Modulation option	None (Q=0)	
	TTL	1Hz-1kHz (Q=T1), 1kHz-10kHz (Q=T2), 10kHz-30kHz (Q=T3), 30kHz-100kHz (Q=T4)
	Analog	1Hz-1kHz (Q=A1), 1kHz-10kHz (Q=A2), 10kHz-30kHz (Q=A3), 30kHz-100kHz (Q=A4)
Expected lifetime (hours)	10,000	
Warranty period	10 months	
FDA Compliance	FDA CDRH Title 21 CFR 1040.10/11 Class IIIb	FDA CDRH Title 21 CFR 1040.10/11 Class IV

Remarks:

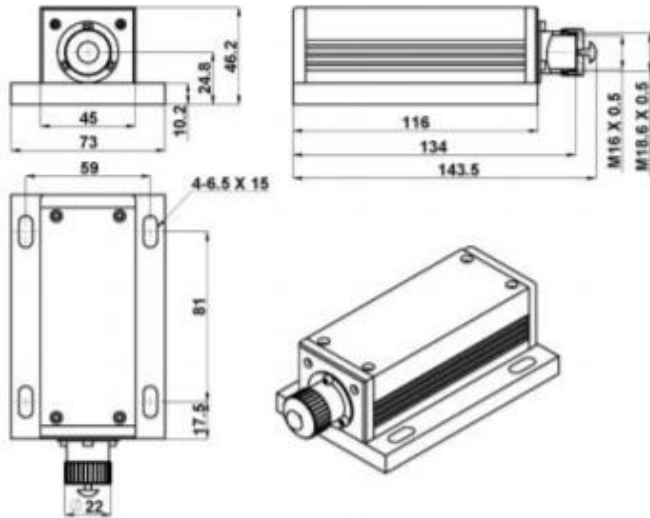
- Specifications of the CW laser is based on the laser performance at full power output after the specified warmup period. The stability of output power may change when output power is adjusted at a different power level.



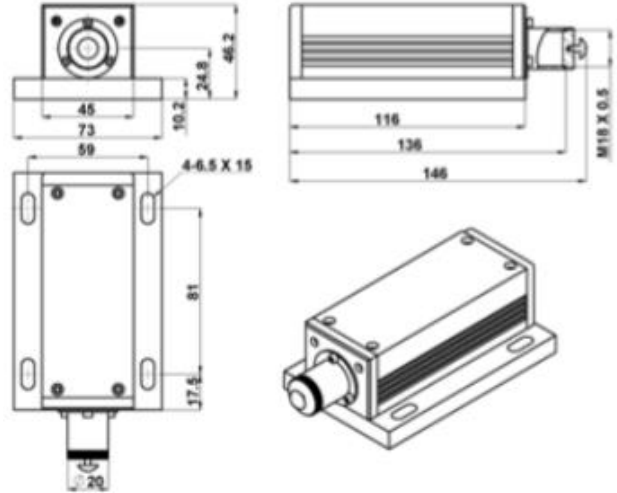
Outline Dimensions (unit: mm)

Laser Head

For DL1310H

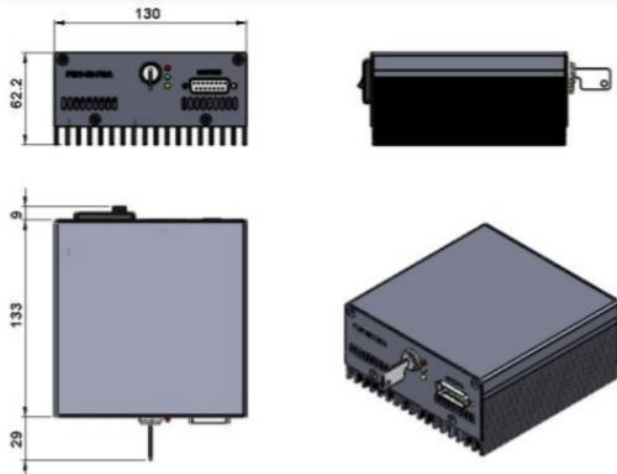


For DL1310

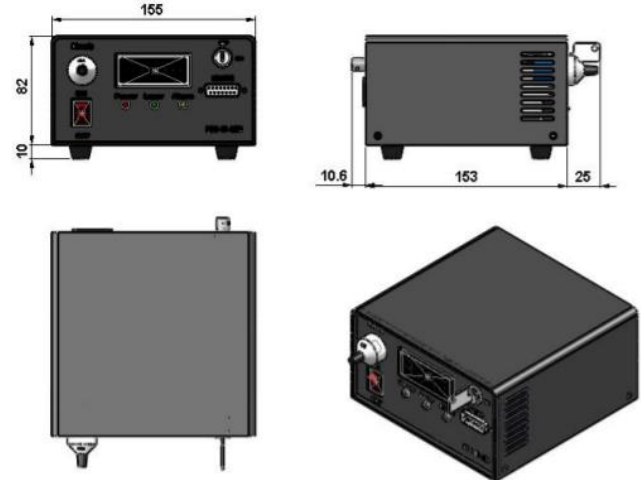


Power Supply Options

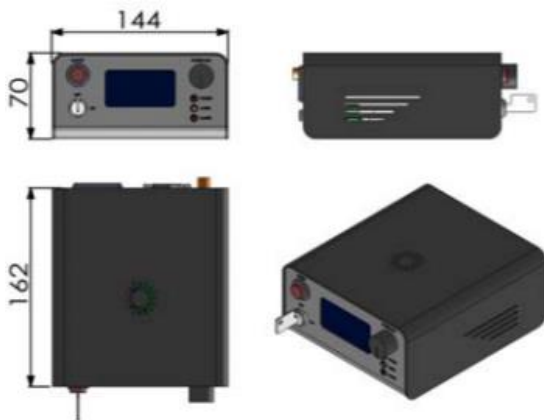
Elite Power Supply (Y=E)



Laboratory Power Supply (Y=L)



A Version Laboratory Power Supply (Y=T)



Note: The above specifications are subject to change without notice.