



## 155Mbps TX:1310nm/RX:1550nm SMF 20km BiDi SFP LC Optical Transceiver

Model No. CS3T5-03H-3S-Tx-L

### FEATURES

- Compliant with SONET/SDH standard
- Compliant with Fast Ethernet standard
- Small form pluggable (SFP) package
- Simplex LC connector
- Single power supply 3.3V
- Differential LVPECL inputs and outputs
- TTL signal detect indicator
- Hot pluggable
- Class 1 laser product compliant with EN 60825-1
- LD Type: 1310 FP
- Distance: 20km



### DIAGNOSTICS

PARAMETER	RANGE	ACCURACY	UNIT	CALIBRATION
Temperature	-40 to 95	±3	°C	External
Voltage	3.0 to 3.6	±0.1	V	
Bias Current	0 to 100	±5	mA	
TX Power	-17 to -5	±3 dB	dBm	
RX Power	-31 to -8	±3 dB	dBm	

### ABSOLUTE MAXIMUM RATINGS

PARAMETER	SYMBOL	MIN	MAX	UNIT	NOTES
Storage Temperature	T <sub>S</sub>	-40	85	°C	
Supply Voltage	V <sub>CC</sub>	-0.5	4.0	V	
Input Voltage	V <sub>IN</sub>	-0.5	V <sub>CC</sub>	V	
Output Current	I <sub>O</sub>	-	50	mA	
Operating Current	I <sub>OP</sub>	-	400	mA	

### RECOMMENDED OPERATING CONDITIONS

PARAMETER	SYMBOL	MIN	MAX	UNIT	NOTES
Case Operating Temperature	T <sub>C</sub>	0	70	°C	CS3T5-03H-3S-TC-L
		-40	85		CS3T5-03H-3S-TI-L
Supply Voltage	V <sub>CC</sub>	3.1	3.5	V	
Supply Current	I <sub>TX</sub> + I <sub>RX</sub>	-	200	mA	

**Lasermate Group, Inc.**

19608 Camino De Rosa, Walnut, CA 91789, USA

Tel: (909)718-0999 | Fax: (909)718-0998 | E-mail: [info@lasermate.com](mailto:info@lasermate.com) | URL: <http://www.lasermate.com>



**TRANSMITTER ELECTRO-OPTICAL CHARACTERISTICS ( $V_{CC} = 3.1V$  to  $3.5V$ ,  $T_C = 0^\circ C$  to  $70^\circ C$ ,  $-40^\circ C$  to  $85^\circ C$ )**

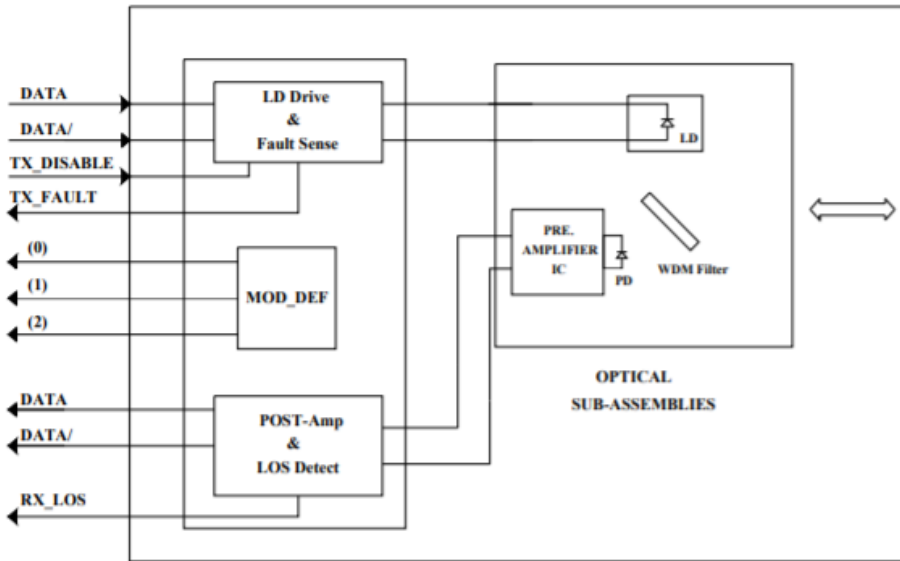
PARAMETER	SYMBOL	MIN	TYP.	MAX	UNIT	NOTES
Output Optical Power 9/125um fiber	$P_{out}$	-14	-	-8	dBm	Average
Extinction Ratio	ER	8.2	-	-	dB	
Center Wavelength	$\lambda_c$	1261	1310	1360	nm	
Spectral Width (RMS)	$\Delta\lambda$	-	-	4	nm	
Rise/Fall Time, 10%~90%	$T_{r,f}$	-	1	2	ns	
Output Eye	Compliant with Telcordia GR-253-CORE Issue 3 and ITU-T recommendation G-957					
Max. $P_{out}$ TX-DISABLE Asserted	$P_{OFF}$	-	-	-45	dBm	
Differential Input Voltage	$V_{DIFF}$	0.4	-	2.0	V	
Transmit Fault Output-Low	$TX\_FAULT_L$	0.0	-	0.5	V	
Transmit Fault Output-High	$TX\_FAULT_H$	2.4	-	$V_{CC}$	V	
Time to initialize, include reset of TX_FAULT	$t_{init}$	-	-	300	ms	
TX_FAULT from fault to assertion	$t_{fault}$	-	-	100	us	
TX_DISABLE time to start reset	$t_{reset}$	10	-	-	us	

**RECEIVER ELECTRO-OPTICAL CHARACTERISTICS ( $V_{CC} = 3.1V$  to  $3.5V$ ,  $T_C = 0^\circ C$  to  $70^\circ C$ ,  $-40^\circ C$  to  $85^\circ C$ )**

PARAMETER	SYMBOL	MIN	TYP.	MAX	UNIT	NOTES
Optical Input Power-Maximum	$P_{IN}$	0	-	-	dBm	$BER < 10^{-10}$
RX Sensitivity @OC-3	$P_{IN}$	-	-	-32	dBm	PRBS23, $BER < 10^{-10}$
RX Sensitivity @125Mbps	$P_{IN}$	-	-	-32	dBm	PRBS7, $BER < 10^{-10}$
Operating Center Wavelength	$\lambda_c$	1480	-	1600	nm	
Optical Return Loss	ORL	14	-	-	dB	$\lambda = 1480 \sim 1600nm$
Optical Isolation	ISO	-	-	-45	dB	$\lambda = 1260 \sim 1360nm$
Loss of Signal-Asserted	$P_A$	-	-	-32	dBm	
Loss of Signal-Deasserted	$P_D$	-45	-	-	dBm	
Differential Output Voltage	$V_{DIFF}$	0.5	-	1.2	V	
Receiver Loss of Signal Output Voltage-Low	$RX\_LOS_L$	0	-	0.5	V	
Receiver Loss of Signal Output Voltage-High	$RX\_LOS_H$	2.4	-	$V_{CC}$	V	



BLOCK DIAGRAM OF TRANSCEIVER



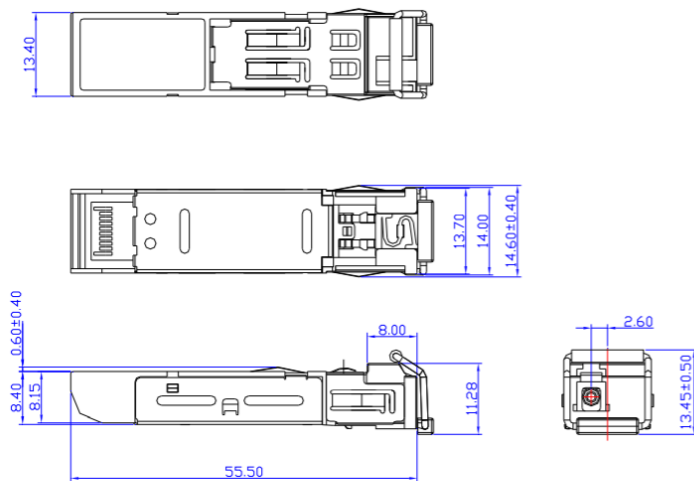
Transmitter and Receiver Optical Sub-assembly Section - A 1310 nm InGaAsP laser and an InGaAs PIN photodiode integrate with an WDM filter to form a bi-directional single fiber optical subassembly (OSA).

TX\_FAULT - When sensing an improper power level in the laser driver, the SFP set this signal high and turns off the Laser. TX\_FAULT can be reset with the TX\_DISABLE line. The signal is in TTL level.

TX\_DISABLE - The TX\_DISABLE signal is high (TTL logic "1") to turn off the laser output.

Receive Loss (RX\_LOS) - The RX\_LOS is high (logic "1") when there is no incoming light from the companion transceiver. This signal is normally used by the system for the diagnostic purpose. The signal is operated in TTL level.

DIMENSIONS



DIMENSIONS ARE IN MILLIMETERS

ALL DIMENSIONS ARE ± 0.2mm UNLESS OTHERWISE SPECIFIED

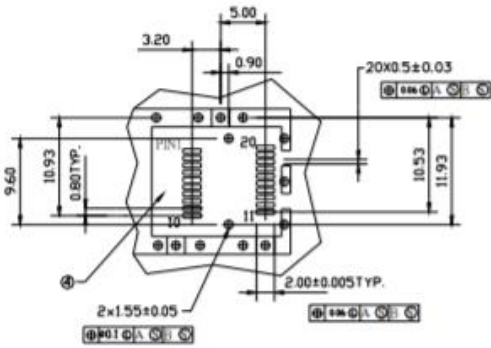
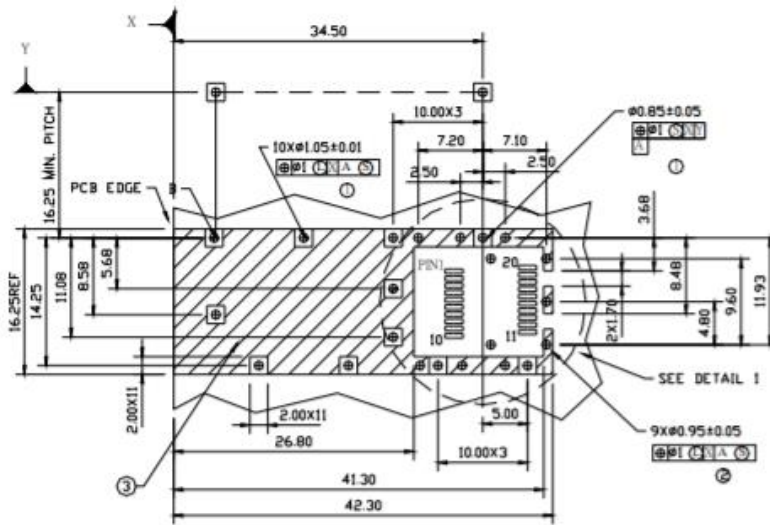
Lasermate Group, Inc.

19608 Camino De Rosa, Walnut, CA 91789, USA

Tel: (909)718-0999 | Fax: (909)718-0998 | E-mail: info@lasermate.com | URL: http://www.lasermate.com



**SFP HOST BOARD MECHANICAL LAYOUT**



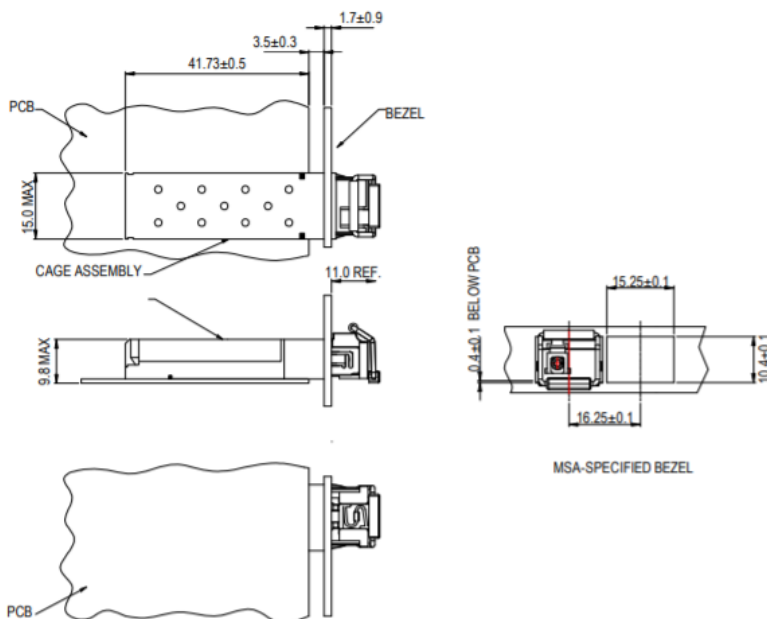
DETAIL I

**LEGEND**

1. PADS AND VIAS ARE CHASSIS GROUND
2. THROUGH HOLES, PLATING OPTIONAL
3. HATCHED AREA DENOTES COMPONENT AND TRACE KEEPOUT (EXCEPT CHASSIS GROUND)
4. AREA DENOTES COMPONENT KEEPOUT (TRACES ALLOWED)

DIMENSIONS ARE IN MILLIMETERS

**ASSEMBLY DRAWING (unit: mm)**



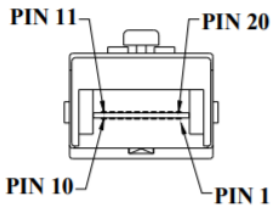
**Lasermate Group, Inc.**

19608 Camino De Rosa, Walnut, CA 91789, USA

Tel: (909)718-0999 | Fax: (909)718-0998 | E-mail: [info@lasermate.com](mailto:info@lasermate.com) | URL: <http://www.lasermate.com>



## PIN ASSIGNMENT



Pin	Signal Name	Description
1	$T_{GND}$	Transmit Ground
2	$TX\_FAULT$	Transmit Fault
3	$TX\_DISABLE$	Transmit Disable
4	$MOD\_DEF (2)$	SDA Serial Data Signal
5	$MOD\_DEF (1)$	SCL Serial Clock Signal
6	$MOD\_DEF (0)$	TTL Low
7	$RATE\_SELECT$	Open Circuit
8	$RX\_LOS$	Receiver Loss of Signal, TTL High, open collector
9	$R_{GND}$	Receiver Ground
10	$R_{GND}$	Receiver Ground
11	$R_{GND}$	Receiver Ground
12	$RX-$	Receive Data Bar, Differential PECL, ac coupled
13	$RX+$	Receive Data, Differential PECL, ac coupled
14	$R_{GND}$	Receiver Ground
15	$V_{CCR}$	Receiver Power Supply
16	$V_{CCT}$	Transmitter Power Supply
17	$T_{GND}$	Transmitter Ground
18	$TX+$	Transmit Data, Differential PECL, ac coupled
19	$TX-$	Transmit Data Bar, Differential PECL, ac coupled
20	$T_{GND}$	Transmitter Ground

## ORDERING INFORMATION

PART NUMBER	OPERATING TEMPERATURE
CS3T5-03H-3S-TC-L	0°C to 70°C
CS3T5-03H-3S-TI-L	-40°C to 85°C

**Note:** The specifications subject to change without notice.