



## 10GBASE-BX TX:1330nm/RX:1270nm SMF 10km BiDi XFP (10Gbps SFP) LC Optical Transceiver

Model No. CS3T2-X-3S-Tx-L

### FEATURES

- 10G Base Ethernet, SONET OC192 and SDH STM-64 application
- Bi-direction link distance up to 10km
- Simplex LC connector
- Power consumption <1.5W
- Compliant with XFP MSA INF-8077i
- Differential CML inputs and outputs
- Hot pluggable
- Single power supply 3.3V
- TTL signal detect indicator
- Class 1 laser product compliant with EN 60825-1
- Input/Output: AC/AC



### ABSOLUTE MAXIMUM RATINGS

| PARAMETER           | SYMBOL   | MIN  | MAX      | UNIT |
|---------------------|----------|------|----------|------|
| Storage Temperature | $T_S$    | -40  | 85       | °C   |
| Supply Voltage      | $V_{CC}$ | -0.5 | 4.0      | V    |
| Input Voltage       | $V_{IN}$ | -0.5 | $V_{CC}$ | V    |

### RECOMMENDED OPERATING CONDITIONS

| PARAMETER                  | SYMBOL            | MIN | MAX | UNIT | NOTES           |
|----------------------------|-------------------|-----|-----|------|-----------------|
| Case Operating Temperature | $T_C$             | 0   | 70  | °C   | CS3T2-X-3S-TC-L |
|                            |                   | -25 | 85  |      | CS3T2-X-3S-TM-L |
|                            |                   | -40 | 85  |      | CS3T2-X-3S-TI-L |
| Supply Voltage             | $V_{CC}$          | 3.1 | 3.5 | V    |                 |
| Supply Current             | $I_{TX} + I_{RX}$ | -   | 600 | mA   |                 |

### DIAGNOSTICS

| DATA ADDRESS | PARAMETER    | RANGE          | ACCURACY |
|--------------|--------------|----------------|----------|
| 96-97        | Temperature  | -10 to 90°C    | ±3°C     |
| 100-101      | Bias Current | 0 to 100mA     | ±10%     |
| 102-103      | TX Power     | -7 to +2dBm    | ±2dB     |
| 104-105      | RX Power     | -16 to +1.5dBm | ±2dB     |
| 106-107      | Vcc3 Voltage | 3.0-3.6Volts   | ±3%      |

**Lasermate Group, Inc.**

19608 Camino De Rosa, Walnut, CA 91789, USA

Tel: (909)718-0999 | Fax: (909)718-0998 | E-mail: [info@lasermate.com](mailto:info@lasermate.com) | URL: <http://www.lasermate.com>

**TRANSMITTER ELECTRO-OPTICAL CHARACTERISTICS ( $V_{CC} = 3.1V$  to  $3.5V$ ,  $T_C = 0$  to  $70^\circ C$ ,  $-25$  to  $85^\circ C$ ,  $-45$  to  $85^\circ C$ )**

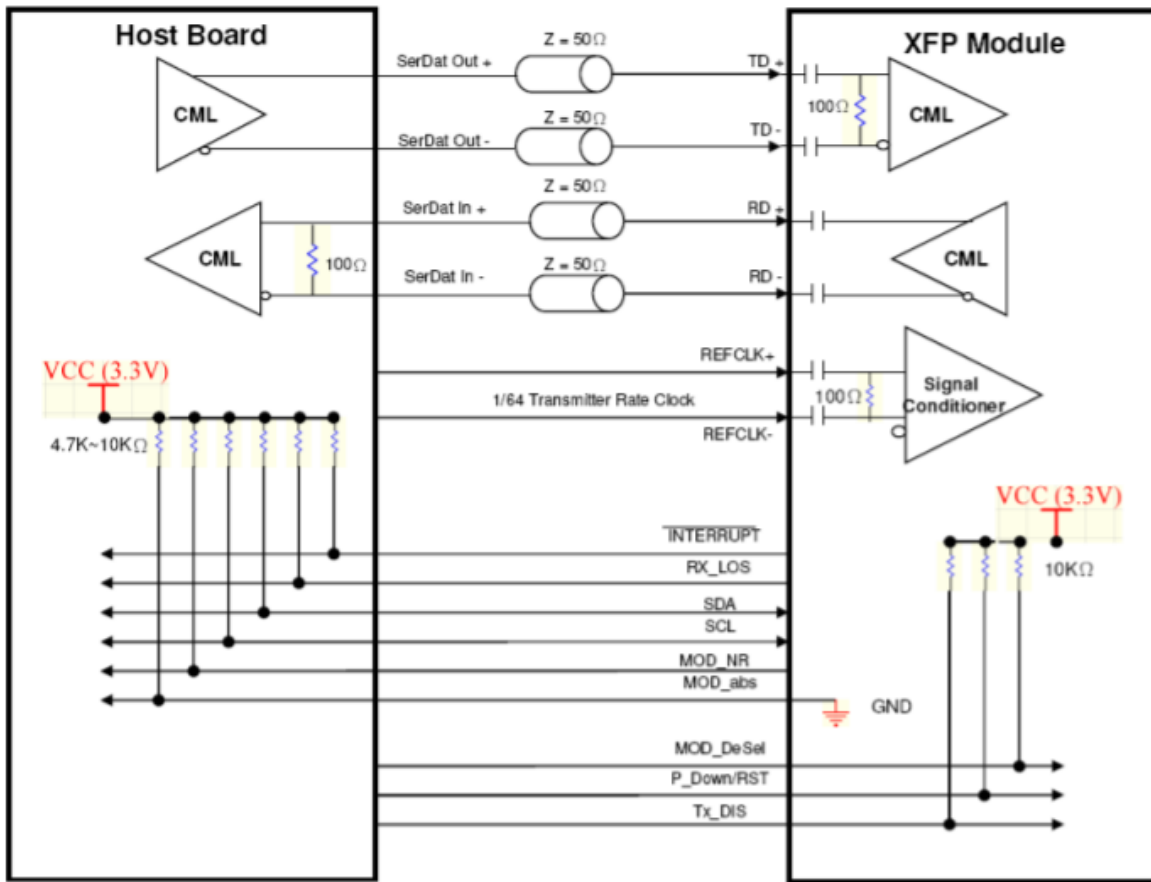
| PARAMETER                          | SYMBOL                          | MIN          | TYP. | MAX      | UNIT  | NOTES |
|------------------------------------|---------------------------------|--------------|------|----------|-------|-------|
| Operating Data Rate                | D                               | 9.95         |      | 11.3     | Gbps  |       |
| Input Reference Clock Rate         |                                 | Not required |      |          |       |       |
| Output Optical Power               | $P_{out}$                       | -5           | -    | 0        | dBm   |       |
| Center Wavelength                  | $\lambda_c$                     | 1320         |      | 1340     | nm    |       |
| Spectral Width (-20dB)             | $\Delta\lambda$                 |              |      | 1        | nm    |       |
| Side Mode Suppression Ratio        | $SSR_{min}$                     | 30           |      |          | dB    |       |
| Transmitter and Dispersion Penalty | Tdp                             |              |      | 3.2      | dB    |       |
| Relative Intensity Noise           | RIN                             | -            | -    | -128     | dB/Hz |       |
| Differential Input Voltage         | $V_{DIFF}$                      | 0.25         | -    | 1.0      | V     |       |
| Transmit Fault Output-Low          | TX_FAULT <sub>L</sub>           | 0.0          | -    | 0.5      | V     |       |
| Transmit Fault Output-High         | TX_FAULT <sub>H</sub>           | 2.4          | -    | $V_{CC}$ | V     |       |
| TX_DISABLE Assert Time             | t <sub>off</sub>                | -            | -    | 10       | us    |       |
| TX_DISABLE Negate Time             | t <sub>on</sub>                 | -            | -    | 2        | ms    |       |
| Time to initialize                 | t <sub>init</sub>               | -            | -    | 300      | ms    |       |
| Interrupt assert delay             | Interrupt <sub>on</sub>         | -            | -    | 200      | ms    |       |
| Interrupt negate delay             | Interrupt <sub>off</sub>        | -            | -    | 500      | us    |       |
| P_Down/RST assert delay            | P_Down/RST <sub>on</sub>        |              |      | 100      | us    |       |
| Mod_NR assert delay                | Mod_nr <sub>on</sub>            |              |      | 1        | ms    |       |
| Mod_NR negate delay                | Mod_nr <sub>off</sub>           |              |      | 1        | ms    |       |
| P-Down reset time                  |                                 | 10           |      |          | us    |       |
| RX_LOS assert delay                | t <sub>loss<sub>on</sub></sub>  |              |      | 100      | us    |       |
| RX_LOS negate delay                | t <sub>loss<sub>off</sub></sub> |              |      | 100      | us    |       |

**RECEIVER ELECTRO-OPTICAL CHARACTERISTICS ( $V_{CC} = 3.1V$  to  $3.5V$ ,  $T_C = 0$  to  $70^\circ C$ ,  $-25$  to  $85^\circ C$ ,  $-45$  to  $85^\circ C$ )**

| PARAMETER                                       | SYMBOL                | MIN  | TYP. | MAX      | UNIT | NOTES                 |
|---|-----------------------|------|------|----------|------|-----------------------|
| Receiver Overload                               |                       | 0.5  | -    | -        | dBm  | BER<10 <sup>-12</sup> |
| Receiver Sensitivity                            | $P_{IN}$              | -    | -    | -14      | dBm  | BER<10 <sup>-12</sup> |
| Operating Center Wavelength                     | $\lambda_c$           | 1260 | -    | 1280     | nm   |                       |
| Optical Return Loss                             | ORL                   | 14   | -    | -        | dB   |                       |
| Loss of Signal-Asserted                         | $P_A$                 | -30  | -    | -        | dBm  |                       |
| Loss of Signal-Deasserted                       | $P_D$                 | -    | -    | -18      | dBm  |                       |
| Differential Output Voltage                     | $V_{DIFF}$            | 0.5  | 0.65 | 0.8      | V    |                       |
| TTL Input High Voltage                          |                       | 2    |      | $V_{CC}$ | V    |                       |
| TTL Input Low Voltage                           |                       | 0    |      | 0.8      | V    |                       |
| TTL Output High Voltage                         |                       | 2.4  | -    | $V_{CC}$ | V    |                       |
| TTL Output Low Voltage                          |                       | 0    | -    | 0.4      | V    |                       |
| Receiver Loss of Signal Assert Time (off to on) | t <sub>A,RX_LOS</sub> | -    | -    | 100      | us   |                       |
| Receiver Loss of Signal Assert Time (on to off) | t <sub>D,RX_LOS</sub> | -    | -    | 100      | us   |                       |



BLOCK DIAGRAM OF TRANSCEIVER



**MOD\_NR**

The Mod\_NR is an output pin that when High, indicates that the module has detected a condition that renders transmitter and or receiver data invalid, shall consist of logical OR of the following signals:

- Transmit Signal Conditioner Loss of Lock
- Transmitter Laser Fault
- Receiver Signal Conditioner Loss of Lock

**MOD\_DESEL**

The Mod\_DeSel is an input pin. When held Low by the host, the module responds to 2-wire serial communication commands. The Mod\_DeSel allows the use of multiple XFP modules on a single 2-wire interface bus. When the Mod\_DeSel pin is “High”, the module shall not respond to or acknowledge any 2-wire interface communication from the host.

**Interrupt**

Interrupt is an output pin. When “Low”, indicates possible module operational fault or a status critical to the host system.



### **TX\_DIS**

TX\_DIS is an input pin. When TX\_DIS is asserted High, the XFP module transmitter output must be turned off.

### **MOD\_ABS**

Mod\_ABS is pulled up to Host\_Vcc on the host board and grounded in the XFP module. Mod\_ABS is then asserted “High” when the XFP module is physically absent from a host slot.

### **RX\_LOS**

The RX\_LOS when High indicates insufficient optical power for reliable signal reception.

### **P\_DOWN/RST**

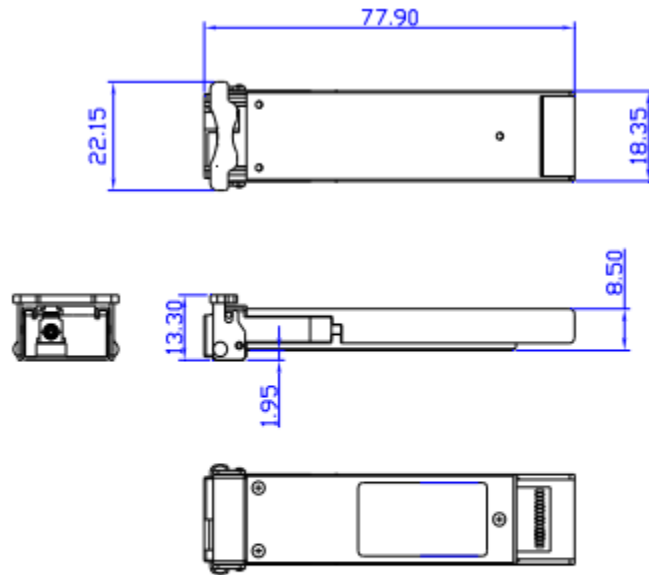
This is a multifunction pin for module Power Down and Reset. The P\_Down/RST pin must be pulled up to VCC3 in the XFP module.

### **POWER DOWN FUNCTION**

The P\_Down pin, when held High by the host, places the module in the standby (Low Power) mode with a maximum power dissipation of 1.5W. This protects hosts which are not capable of cooling higher power modules which may be accidentally inserted.



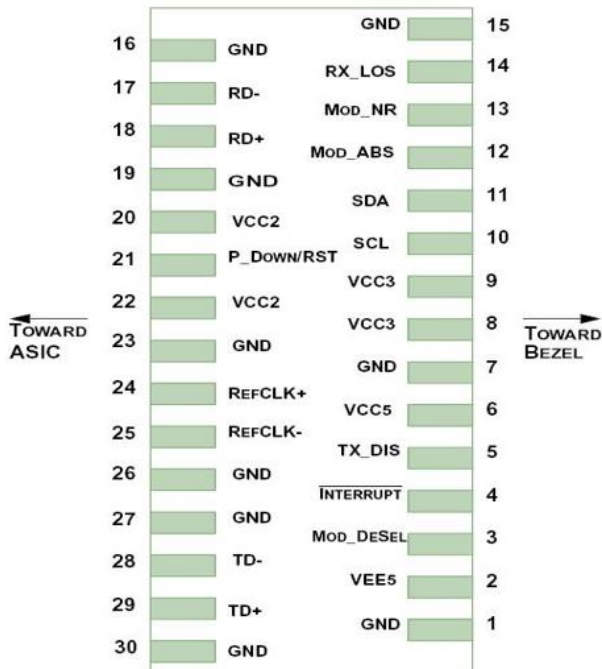
**DIMENSIONS**



**DIMENSIONS ARE IN MILLIMETERS**

**ALL DIMENSIONS ARE  $\pm 0.2\text{mm}$  UNLESS OTHERWISE SPECIFIED**

**PIN ASSIGNMENT**





| <i>Pin</i> | <i>Logic</i> | <i>Symbol</i>            | <i>Name/Description</i>   | <i>Note</i> |
|------------|--------------|--------------------------|---|-------------|
| 1          |              | GND                      | Module Ground   | 1           |
| 2          |              | VEE5                     | Optional -5.2V Power Supply   |             |
| 3          | LVTTL-I      | Mod_DeSel                | Module De-select; When held low allows module to respond to 2-wire serial interface   |             |
| 4          | LVTTL-O      | $\bar{\text{Interrupt}}$ | $\bar{\text{Interrupt}}$ ; Indicates presence of an important condition which can be read over the 2-wire serial interface  | 2           |
| 5          | LVTTL-I      | TX_DIS                   | Transmitter Disable; Turns off transmitter laser output   |             |
| 6          |              | VCC5                     | +5V Power Supply  |             |
| 7          |              | GND                      | Module Ground   | 1           |
| 8          |              | VCC3                     | +3.3V Power Supply  |             |
| 9          |              | VCC3                     | +3.3V Power Supply  |             |
| 10         | LVTTL-I/O    | SCL                      | 2-Wire Serial Interface Clock   | 2           |
| 11         | LVTTL-I/O    | SDA                      | 2-Wire Serial Interface Data Line   | 2           |
| 12         | LVTTL-O      | Mod_Abs                  | Indicates Module is not present. Grounded in the Module   | 2           |
| 13         | LVTTL-O      | Mod_NR                   | Module Not Ready; Indicating Module Operational Fault   | 2           |
| 14         | LVTTL-O      | RX_LOS                   | Receiver Loss Of Signal Indicator   | 2           |
| 15         |              | GND                      | Module Ground   | 1           |
| 16         |              | GND                      | Module Ground   | 1           |
| 17         | CML-O        | RD-                      | Receiver Inverted Data Output   |             |
| 18         | CML-O        | RD+                      | Receiver Non-Inverted Data Output   |             |
| 19         |              | GND                      | Module Ground   | 1           |
| 20         |              | VCC2                     | +1.8V Power Supply  | 3           |
| 21         | LVTTL-I      | P_Down/RST               | Power down; When high, requires the module to limit power consumption to 1.5W or below. 2-Wire serial interface must be functional in the low power mode.<br>Reset; The falling edge initiates a complete reset of the module including the 2-wire serial interface, equivalent to a power cycle. |             |
| 22         |              | VCC2                     | +1.8V Power Supply  | 3           |
| 23         |              | GND                      | Module Ground   | 1           |
| 24         | PECL-I       | RefCLK+                  | Reference Clock Non-Inverted Input, AC coupled on the host board  |             |
| 25         | PECL-I       | RefCLK-                  | Reference Clock Inverted Input, AC coupled on the host board  |             |
| 26         |              | GND                      | Module Ground   | 1           |
| 27         |              | GND                      | Module Ground   | 1           |
| 28         | CML-I        | TD-                      | Transmitter Inverted Data Input   |             |
| 29         | CML-I        | TD+                      | Transmitter Non-Inverted Data Input   |             |
| 30         |              | GND                      | Module Ground   | 1           |

1. Module ground pins Gnd are isolated from the module case and chassis ground within the module.  
 2. Shall be pulled up with 4.7K-10Kohms to a voltage between 3.15V and 3.45V on the host board.  
 3. The 1.8 V power supply can be optionally programmed to voltages lower than 1.8 V in modules supporting the variable power supply.



**EYE SAFETY MARK**

The single mode transceiver is a class 1 laser product. It complies with EN 60825-1 and FDA 21 CFR 1040.10 and 1040.11. In order to meet laser safety requirements, the transceiver shall be operated within the Absolute Maximum Ratings.

**Required Mark**

Class 1 Laser Product  
Complies with  
21 CFR 1040.10 and 1040.11

**[Caution]** All adjustments have been done at the factory before the shipment of the devices. No maintenance and user serviceable part is required. Tampering with and modifying the performance of the device will result in voided product warranty.

**ORDERING INFORMATION**

| <b>PART NUMBER</b> | <b>INPUT/OUTPUT</b> | <b>SIGNAL DETECT</b> | <b>VOLTAGE</b> | <b>OPERATING TEMPERATURE</b> |
|--------------------|---------------------|----------------------|----------------|------------------------------|
| CS3T2-X-3S-TC-L    | AC/AC               | TTL                  | 3.3V           | 0 to 70°C                    |
| CS3T2-X-3S-TM-L    | AC/AC               | TTL                  | 3.3V           | -25 to 85°C                  |
| CS3T2-X-3S-TI-L    | AC/AC               | TTL                  | 3.3V           | -45 to 85°C                  |

**Note:** The specifications subject to change without notice.