



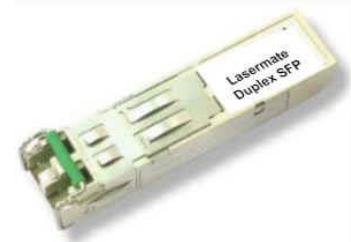
1.25Gbps 1470nm~1610nm SMF 20dB CWDM SFP Optical Transceiver with Duplex LC Connector

Model No. CS15xxD-24F-3L-TC-LD

Where **xx** value is as follows: **xx = 47** for 1470nm, **xx = 49** for 1490nm, **xx = 51** for 1510nm, **xx = 53** for 1530nm, **xx = 55** for 1550nm, **xx = 57** for 1570nm, **xx = 59** for 1590nm, **xx = 61** for 1610nm

FEATURES

- Compliant with IEEE802.3z Gigabit Ethernet Standard
- Compliant with Fiber Channel 100-SM-LC-L standard
- Compliant with SFF8472 diagnostic monitoring interface
- Industry standard small form pluggable (SFP) package
- Duplex LC connector
- Differential PECL inputs and outputs
- Hot pluggable
- Class 1 laser product compliant with EN 60825-1
- Single power supply 3.3V
- TTL signal detect indicator
- Input/Output: AC/AC
- Operating case temperature range: 0°C to 70°C



DIAGNOSTICS

PARAMETER	RANGE	ACCURACY	UNIT	CALIBRATION
Temperature	-10 to 80	±3	°C	External
Voltage	3.1 to 3.5	±0.1	V	
Bias Current	0 to 90	±5	mA	
TX Power	-4 to +1	±3 dB	dBm	
RX Power	-24 to -1	±3 dB	dBm	

ABSOLUTE MAXIMUM RATINGS

PARAMETER	SYMBOL	MIN	MAX	UNIT
Storage Temperature	T _s	-40	85	°C
Supply Voltage	V _{CC}	-0.5	4.0	V
Input Voltage	V _{IN}	-0.5	V _{CC}	V

RECOMMENDED OPERATING CONDITIONS

PARAMETER	SYMBOL	MIN	MAX	UNIT
Case Operating Temperature	T _C	0	70	°C
Supply Voltage	V _{CC}	3.1	3.5	V
Supply Current	I _{TX} + I _{RX}	-	300	mA

**TRANSMITTER ELECTRO-OPTICAL CHARACTERISTICS ($V_{CC} = 3.1V$ to $3.5V$, $T_C = 0^\circ C$ to $70^\circ C$)**

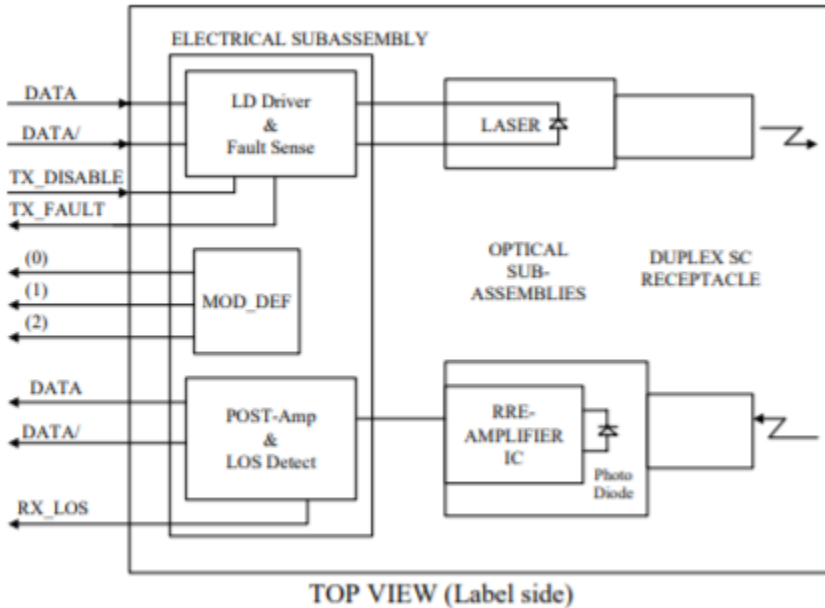
PARAMETER	SYMBOL	MIN	TYP.	MAX	UNIT	NOTES	
Output Optical Power 9/125um fiber	P_{out}	-4	-1	+1	dBm	Average	
Extinction Ratio	ER	7	-	-	dB		
Center Wavelength (1470nm)	λ_c	1464.5	-	1477.5	nm		
Center Wavelength (1490nm)		1484.5	-	1497.5			
Center Wavelength (1510nm)		1504.5	-	1517.5			
Center Wavelength (1530nm)		1524.5	-	1537.5			
Center Wavelength (1550nm)		1544.5	-	1557.5			
Center Wavelength (1570nm)		1564.5	-	1577.5			
Center Wavelength (1590nm)		1584.5	-	1597.5			
Center Wavelength (1610nm)		1604.5	-	1617.5			
Spectral Width (-20dB)	$\Delta\lambda$	-	-	1	nm		
Side Mode Suppression Ratio	SMSR	30			dB		
Rise/Fall Time, (20~80%)	$T_{r,f}$	-	-	260	ps		
Relative Intensity Noise	RIN	-	-	-120	dB/Hz		
Total Jitter	TJ	-	-	227	ps		
Output Eye		Compliant with IEEE802.3ae					
Differential Input Voltage	V_{DIFF}	0.4	-	2.0	V		
Max. P_{out} TX-DISABLE Asserted	P_{OFF}	-	-	-45	dBm		

RECEIVER ELECTRO-OPTICAL CHARACTERISTICS ($V_{CC} = 3.1V$ to $3.5V$, $T_C = 0^\circ C$ to $70^\circ C$)

PARAMETER	SYMBOL	MIN	TYP.	MAX	UNIT	NOTES
Optical Input Power – maximum	P_{IN}	-1.0	-	-	dBm	BER<10 ⁻¹²
Optical Input Power – minimum (Sensitivity)	P_{IN}	-	-27	-24	dBm	BER<10 ⁻¹²
Operating Center Wavelength	λ_c	1260	-	1620	nm	
Signal Detect-Asserted	P_A	-	-	-24	dBm	
Signal Detect-Deasserted	P_D	-40	-	-	dBm	
Differential Output Voltage	V_{DIFF}	0.5	-	1.2	V	
Data Output Rise, Fall Time (20~80%)	$T_{r,f}$	-	-	0.35	ns	
Receiver Loss of Signal Output Voltage-Low	RX_LOS _L	0	-	0.5	V	
Receiver Loss of Signal Output-High	RX_LOS _H	2.4	-	V_{CC}	V	



BLOCK DIAGRAM OF TRANSCEIVER



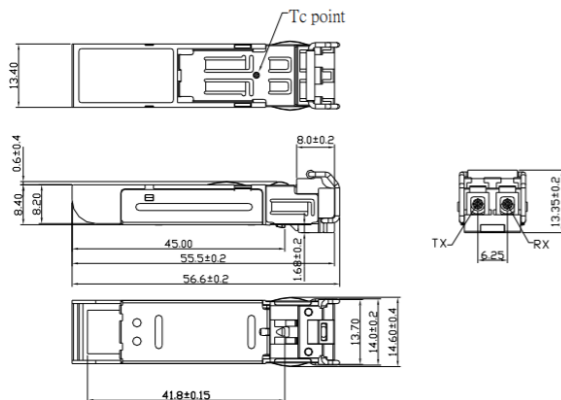
Transmitter Section - The transmitter section consists of a 1550 nm InGaAsP laser in an eye safe optical subassembly (OSA) which mates to the fiber cable. The laser OSA is driven by a LD driver IC which converts differential input LVPECL logic signals into an analog laser driving current.

TX_DISABLE - The TX_DISABLE signal is high (TTL logic "1") to turn off the laser output. The laser will turn on when TX_DISABLE is low (TTL logic "0").

Receiver Section - The receiver utilizes an InGaAs PIN photodiode mounted together with a trans-impedance preamplifier IC in an OSA. This OSA is connected to a circuit providing post-amplification quantization, and optical signal detection.

Receive Loss (RX_LOS) - The RX_LOS is high (logic "1") when there is no incoming light from the companion transceiver. This signal is normally used by the system for the diagnostic purpose. The signal is operated in LVTTTL level.

DIMENSIONS



DIMENSIONS ARE IN MILLIMETERS
ALL DIMENSIONS ARE ± 0.1mm UNLESS OTHERWISE SPECIFIED

Unit: mm

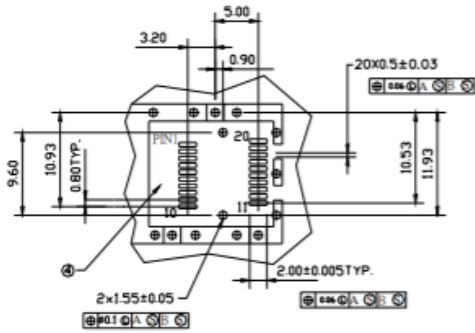
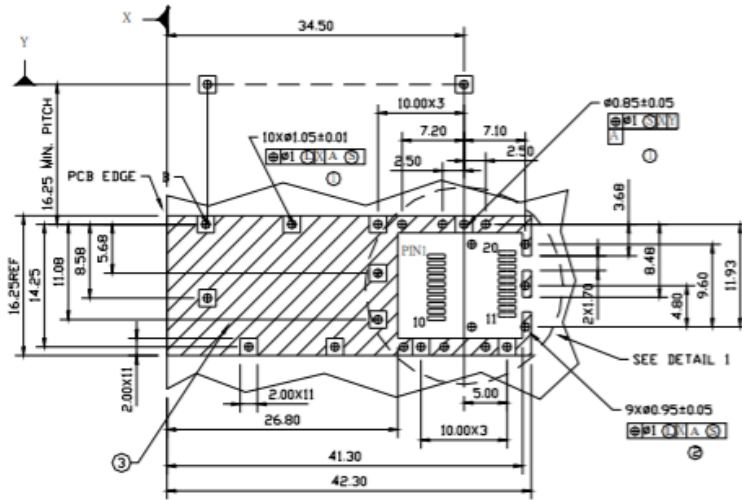
Lasermate Group, Inc.

19608 Camino De Rosa, Walnut, CA 91789, USA

Tel: (909)718-0999 | Fax: (909)718-0998 | E-mail: info@lasermate.com | URL: http://www.lasermate.com



SFP HOST BOARD MECHANICAL LAYOUT

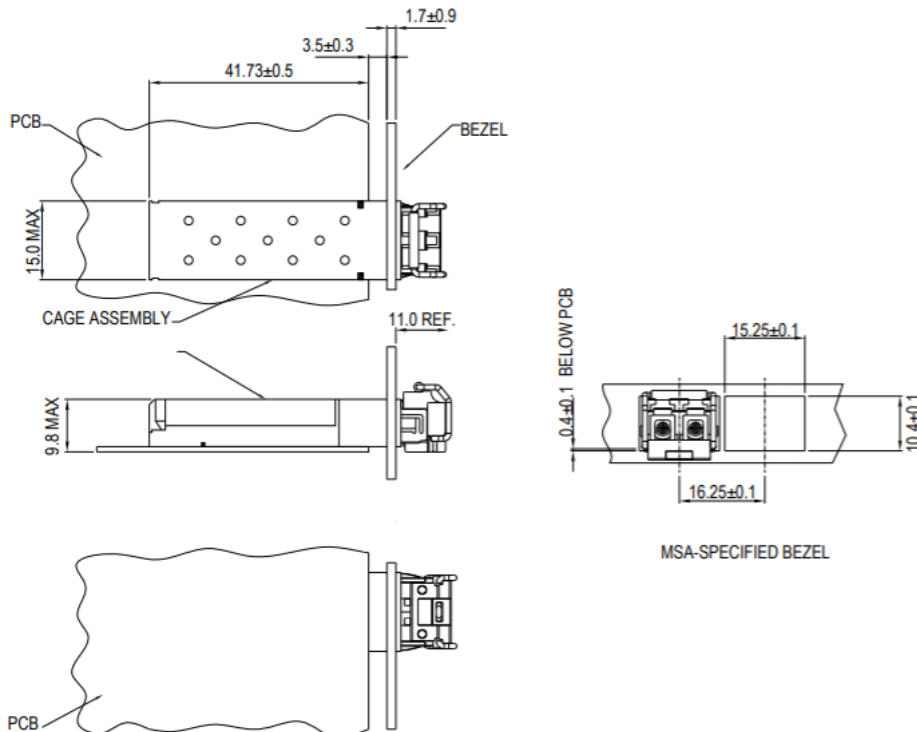


LEGEND

1. PADS AND VIAS ARE CHASSIS GROUND
2. THROUGH HOLES, PLATING OPTIONAL
3. HATCHED AREA DENOTES COMPONENT AND TRACE KEEPOUT (EXCEPT CHASSIS GROUND)
4. AREA DENOTES COMPONENT KEEPOUT (TRACES ALLOWED)

DIMENSIONS ARE IN MILLIMETERS

ASSEMBLY DRAWING (unit: mm)





PIN ASSIGNMENT



PIN	SIGNAL NAME	DESCRIPTION	PIN	SIGNAL NAME	DESCRIPTION
1	T _{GND}	Transmit Ground	11	R _{GND}	Receiver Ground
2	TX_FAULT	Transmit Fault	12	RX-	Receive Data Bar, Differential PECL, ac coupled
3	TX_DISABLE	Transmit Disable	13	RX+	Receive Data, Differential PECL, ac coupled
4	MOD_DEF (2)	SDA Serial Data Signal	14	R _{GND}	Receiver Ground
5	MOD_DEF (1)	SCL Serial Clock Signal	15	V _{CCR}	Receiver Power Supply
6	MOD_DEF (0)	TTL Low	16	V _{CCT}	Transmitter Power Supply
7	RATE SELECT	Open Circuit	17	T _{GND}	Transmitter Ground
8	RX_LOS	Receiver Loss of Signal, TTL High, open collector	18	TX+	Transmit Data, Differential PECL, ac coupled
9	R _{GND}	Receiver Ground	19	TX-	Transmit Data Bar, Differential PECL, ac coupled
10	R _{GND}	Receiver Ground	20	T _{GND}	Transmitter Ground

ORDERING INFORMATION

PART NUMBER	WAVELENGTH	OPERATING TEMPERATURE
CS1547D-24F-3L-TC-LD	1470nm	0°C to 70°C
CS1549D-24F-3L-TC-LD	1490nm	0°C to 70°C
CS1551D-24F-3L-TC-LD	1510nm	0°C to 70°C
CS1553D-24F-3L-TC-LD	1530nm	0°C to 70°C
CS1555D-24F-3L-TC-LD	1550nm	0°C to 70°C
CS1557D-24F-3L-TC-LD	1570nm	0°C to 70°C
CS1559D-24F-3L-TC-LD	1590nm	0°C to 70°C
CS1561D-24F-3L-TC-LD	1610nm	0°C to 70°C

Note: The specifications subject to change without notice.