

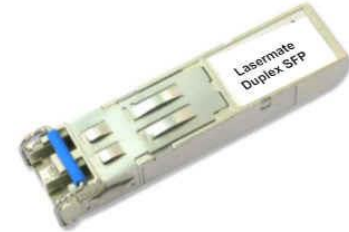


## 2.5Gbps 1310nm SMF 50km SFP Optical Transceiver with Duplex LC Connector

Model No. CS13D-48F-3L-TI-LD

### FEATURES

- Compliant with SFF8472 diagnostic monitoring interface
- Industry standard small form pluggable (SFP) package
- Multi-Rate
- Hot pluggable
- Single power supply 3.3V
- Duplex LC connector
- Differential inputs and outputs
- TTL signal detect indicator
- Class 1 laser product compliant with EN 60825-1
- LD Type: DFB
- Input/Output: AC/AC
- Temperature: -40°C to 85°C



### DIAGNOSTICS

PARAMETER	RANGE	ACCURACY	UNIT	CALIBRATION
Temperature	-40 to 95	±3	°C	External
Voltage	0 to VCC	±0.1	V	
Bias Current	0 to 120	±5	mA	
TX Power	-5 to +6	±3 dB	dBm	
RX Power	-28 to -10	±3 dB	dBm	

### ABSOLUTE MAXIMUM RATINGS

PARAMETER	SYMBOL	MIN	MAX	UNIT
Storage Temperature	T <sub>s</sub>	-40	85	°C
Supply Voltage	V <sub>CC</sub>	-0.5	4.0	V
Input Voltage	V <sub>IN</sub>	-0.5	V <sub>CC</sub>	V

### RECOMMENDED OPERATING CONDITIONS

PARAMETER	SYMBOL	MIN	MAX	UNIT
Case Operating Temperature	T <sub>C</sub>	-40	85	°C
Supply Voltage	V <sub>CC</sub>	3.1	3.5	V
Supply Current	I <sub>TX</sub> + I <sub>RX</sub>	-	350	mA

**Lasermate Group, Inc.**

19608 Camino De Rosa, Walnut, CA 91789, USA

Tel: (909)718-0999 | Fax: (909)718-0998 | E-mail: [info@lasermate.com](mailto:info@lasermate.com) | URL: <http://www.lasermate.com>

**TRANSMITTER ELECTRO-OPTICAL CHARACTERISTICS ( $V_{CC} = 3.1V$  to  $3.5V$ ,  $T_C = -40^{\circ}C$  to  $85^{\circ}C$ )**

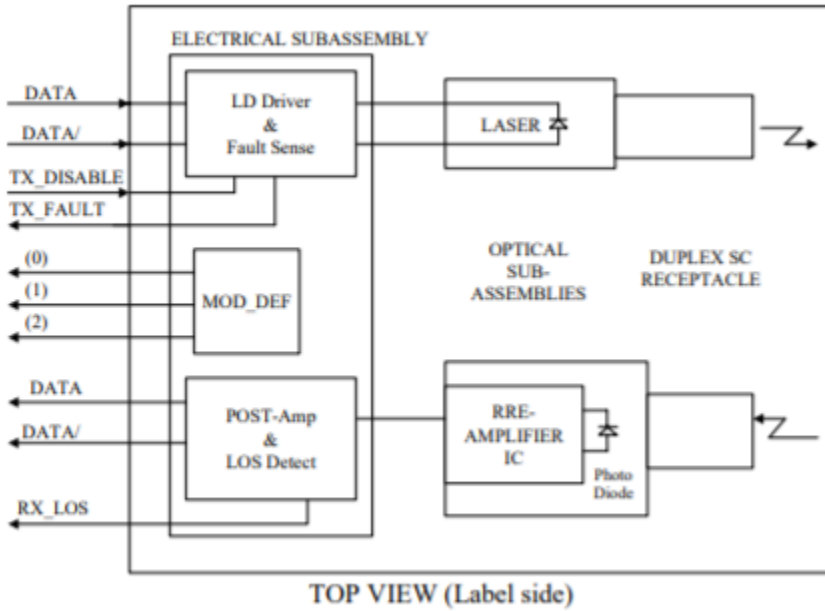
PARAMETER	SYMBOL	MIN	TYP.	MAX	UNIT	NOTES
Output Optical Power 62.5/125, 50/125um fiber	$P_{out}$	-2	-	+3	dBm	Average
Extinction Ratio	ER	8.2	-	-	dB	
Center Wavelength	$\lambda_c$	1280	1310	1335	nm	
Spectral Width (-20dB)	$\Delta\lambda$	-	-	1	nm	
Side Mode Suppression Ratio	SMSR	30	-	-	dB	
Output Eye	Compliant with Telcordia GR-253-CORE Issue 3 and ITU-T recommendation G-957					
Max. $P_{out}$ TX-DISABLE Asserted	$P_{OFF}$	-	-	-45	dBm	
Differential Input Voltage	$V_{DIFF}$	0.4	-	2.0	V	
Optical Path Penalty				2	dB	

**RECEIVER ELECTRO-OPTICAL CHARACTERISTICS ( $V_{CC} = 3.1V$  to  $3.5V$ ,  $T_C = -40^{\circ}C$  to  $85^{\circ}C$ )**

PARAMETER	SYMBOL	MIN	TYP.	MAX	UNIT	NOTES
Optical Input Power-Maximum	$P_{IN}$	-8	-	-	dBm	$BER < 10^{-10}$
RX Sensitivity @2.67 Gb/s	$P_{IN}$	-	-	-28	dBm	PRBS23, $BER < 10^{-10}$
RX Sensitivity @OC-48	$P_{IN}$	-	-	-28	dBm	PRBS23, $BER < 10^{-10}$
RX Sensitivity @2xFC	$P_{IN}$	-	-	-28	dBm	PRBS7, $BER < 10^{-12}$
RX Sensitivity @GbE	$P_{IN}$	-	-	-28	dBm	PRBS7, $BER < 10^{-12}$
RX Sensitivity @OC-12	$P_{IN}$	-	-	-28	dBm	PRBS23, $BER < 10^{-10}$
RX Sensitivity @OC-3	$P_{IN}$	-	-	-28	dBm	PRBS23, $BER < 10^{-10}$
RX Sensitivity @Fast Ethernet	$P_{IN}$	-	-	-28	dBm	PRBS7, $BER < 10^{-10}$
Operating Center Wavelength	$\lambda_c$	1260	-	1360	nm	
Optical Return Loss	ORL	-27	-	-	dB	
Signal Detect-Asserted	$P_A$	-	-	-28	dBm	
Signal Detect-Deasserted	$P_D$	-45	-	-	dBm	
Differential Output Voltage	$V_{DIFF}$	0.5	-	1.2	V	
Receiver Loss of Signal Output Voltage-Low	$RX\_LOS_L$	0	-	0.5	V	
Receiver Loss of Signal Output Voltage-High	$RX\_LOS_H$	2.4	-	$V_{CC}$	V	



**BLOCK DIAGRAM OF TRANSCEIVER**



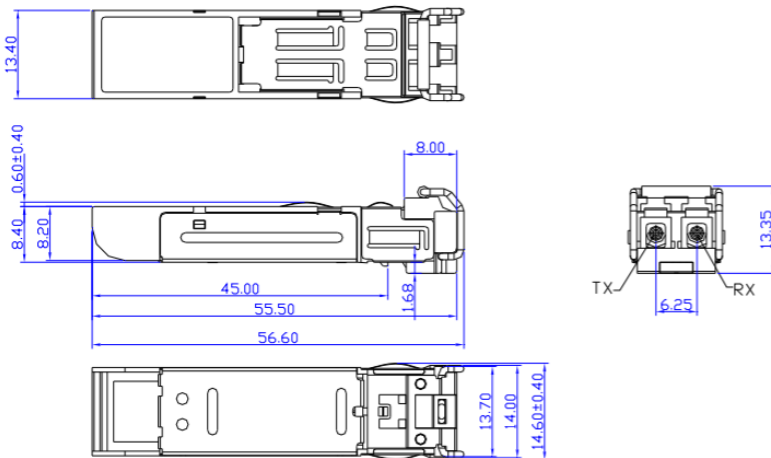
**Transmitter Section** - The transmitter section consists of a 1310 nm InGaAsP laser in an eye safe optical subassembly (OSA) which mates to the fiber cable. The laser OSA is driven by a LD driver IC which converts differential input LVPECL logic signals into an analog laser driving current.

**TX\_DISABLE** - The TX\_DISABLE signal is high (TTL logic "1") to turn off the laser output. The laser will turn on when TX\_DISABLE is low (TTL logic "0").

**Receiver Section** - The receiver utilizes an APD photodiode mounted together with a trans-impedance preamplifier IC in an OSA. This OSA is connected to a circuit providing post-amplification quantization, and optical signal detection.

**Receive Loss (RX\_LOS)** - The RX\_LOS is high (logic "1") when there is no incoming light from the companion transceiver. This signal is normally used by the system for the diagnostic purpose. The signal is operated in LVTTTL level.

**DIMENSIONS**



**DIMENSIONS ARE IN MILLIMETERS**

**ALL DIMENSIONS ARE ± 0.2mm UNLESS OTHERWISE SPECIFIED**

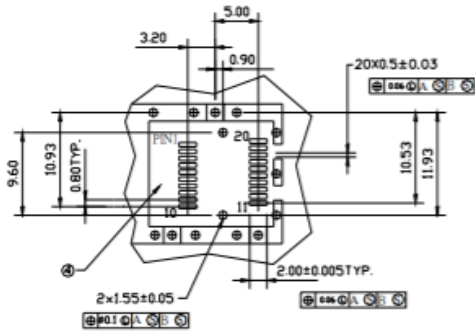
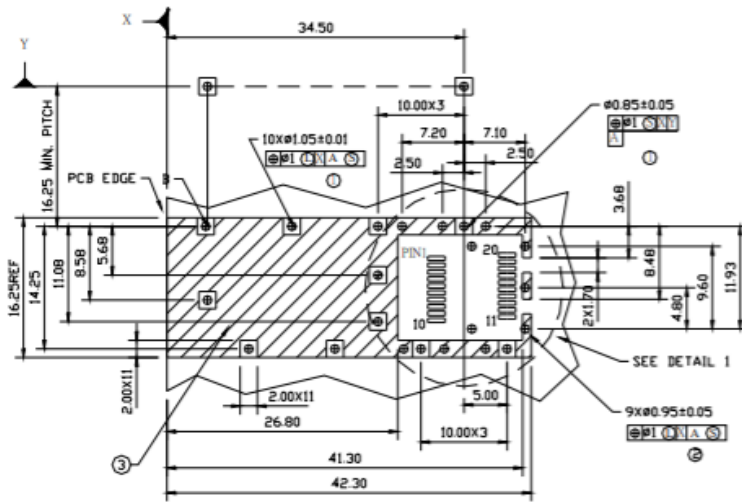
**Lasermate Group, Inc.**

19608 Camino De Rosa, Walnut, CA 91789, USA

Tel: (909)718-0999 | Fax: (909)718-0998 | E-mail: info@lasermate.com | URL: <http://www.lasermate.com>



SFP HOST BOARD MECHANICAL LAYOUT

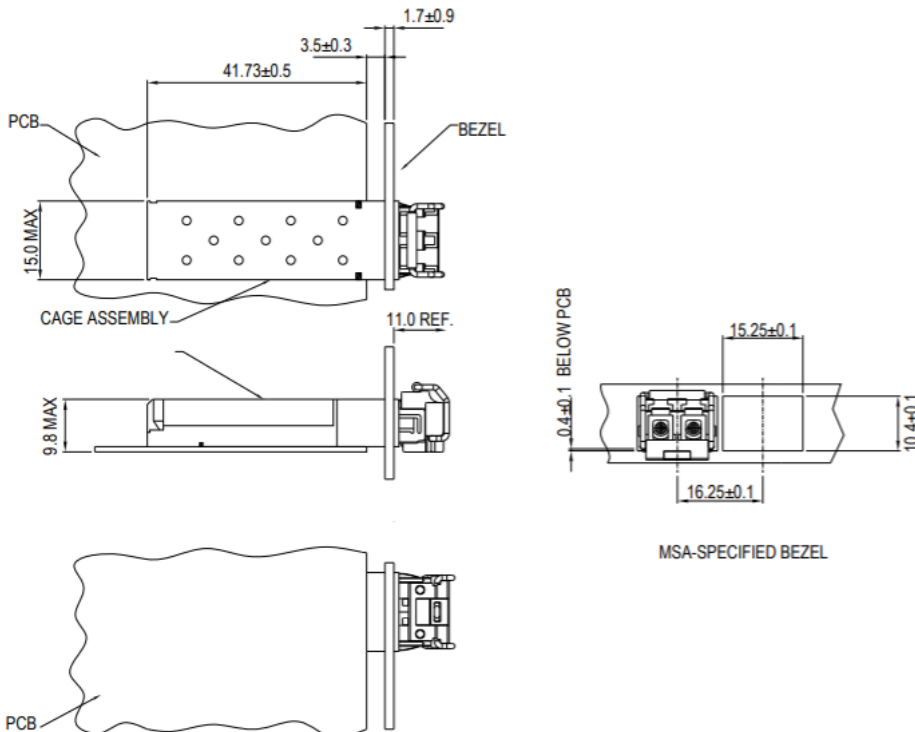


LEGEND

- 1. PADS AND VIAS ARE CHASSIS GROUND
- 2. THROUGH HOLES, PLATING OPTIONAL
- 3. HATCHED AREA DENOTES COMPONENT AND TRACE KEEPOUT (EXCEPT CHASSIS GROUND)
- 4. AREA DENOTES COMPONENT KEEPOUT (TRACES ALLOWED)

DIMENSIONS ARE IN MILLIMETERS

ASSEMBLY DRAWING (unit: mm)



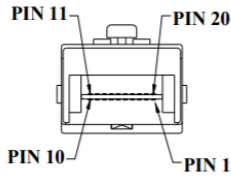
Lasermate Group, Inc.

19608 Camino De Rosa, Walnut, CA 91789, USA

Tel: (909)718-0999 | Fax: (909)718-0998 | E-mail: info@lasermate.com | URL: <http://www.lasermate.com>



**PIN ASSIGNMENT**



PIN	SIGNAL NAME	DESCRIPTION	PIN	SIGNAL NAME	DESCRIPTION
1	T <sub>GND</sub>	Transmit Ground	11	R <sub>GND</sub>	Receiver Ground
2	TX_FAULT	Transmit Fault	12	RX-	Receive Data Bar, Differential, ac coupled
3	TX_DISABLE	Transmit Disable	13	RX+	Receive Data, Differential, ac coupled
4	MOD_DEF (2)	SDA Serial Data Signal	14	R <sub>GND</sub>	Receiver Ground
5	MOD_DEF (1)	SCL Serial Clock Signal	15	V <sub>CCR</sub>	Receiver Power Supply
6	MOD_DEF (0)	TTL Low	16	V <sub>CCT</sub>	Transmitter Power Supply
7	RATE SELECT	Open Circuit	17	T <sub>GND</sub>	Transmitter Ground
8	RX_LOS	Receiver Loss of Signal, TTL High, open collector	18	TX+	Transmit Data, Differential, ac coupled
9	R <sub>GND</sub>	Receiver Ground	19	TX-	Transmit Data Bar, Differential, ac coupled
10	R <sub>GND</sub>	Receiver Ground	20	T <sub>GND</sub>	Transmitter Ground

**Note:** The specifications subject to change without notice.