



Model No. PDA-A13C4-2G
2.5GHz 1310nm/1550nm Analog InGaAs PIN Photodiode in TO-46 Package

FEATURES

- InGaAs PIN PD 4 pin TO for Analog application
Industry standard TO-46 package with cap lens and tab-less
High responsivity at 1310nm and 1550nm
Optimized for fiber optic application
Low inter-modulation distortion
Suitable for CATV application



ELECTRO-OPTICAL CHARACTERISTICS (Typical values are at 25°C)

Table with 7 columns: PARAMETERS, SYMBOL, MIN., TYP., MAX., UNIT, TEST CONDITIONS. Rows include Responsivity, Dark Current, Breakdown Voltage, Second Order Inter-Modulation Distortion, Third Order Inter-Modulation Distortion, Capacitance, and Bandwidth.

- (1) IMD2 measured at VR = 12V, Pavg = 0dBm, OMI = 0.7, Rload = 50Ω, f1+f2 = 850MHz, f1-f2 = 50MHz. All are measured at 25°C.
(2) IMD3 measured at VR = 12V, Pavg = 0dBm, OMI = 0.7, Rload = 50Ω, f1+f2 = 500MHz, f1-f2 = 350MHz. All are measured at 25°C.

ABSOLUTE MAXIMUM RATINGS

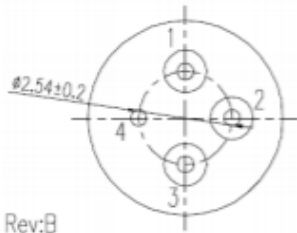
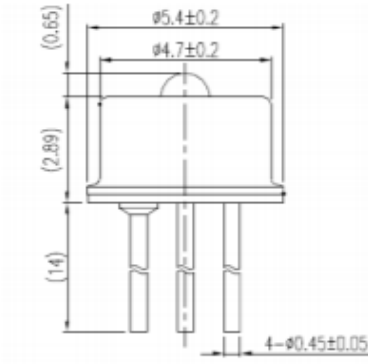
Table with 5 columns: PARAMETERS, MIN., MAX., UNIT, CONDITIONS. Rows include Storage Temperature, Operating Temperature, Lead Solder Temperature, Forward Current, and Reverse Voltage.

Note: The above specifications are subject to change without notice.





OUTLINE DIMENSIONS (unit: mm)



- Pinout:**
1. Anode
2. N.C.
3. Cathode
4. Case

TYPICAL CHARACTERISTICS

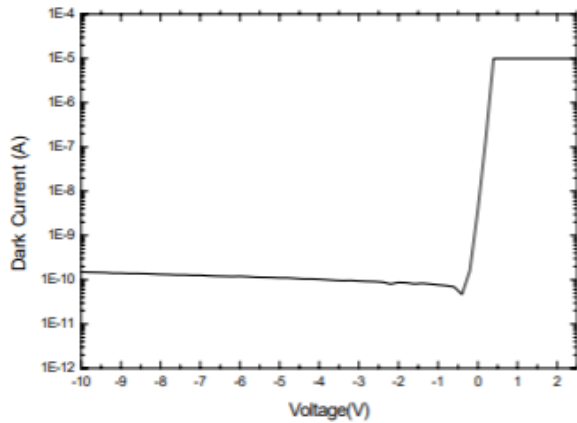


Fig. 1 Typical Dark Current and Forward Current.

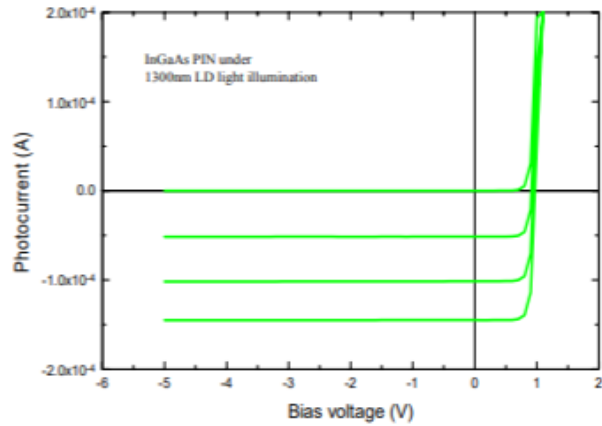


Fig. 2 Typical Photo-Current

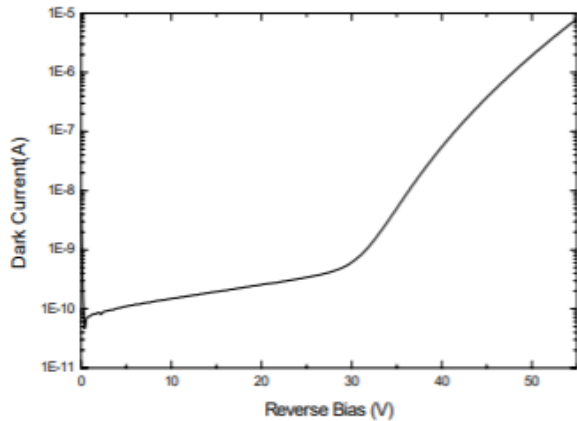


Fig. 3 Typical Breakdown Curve.

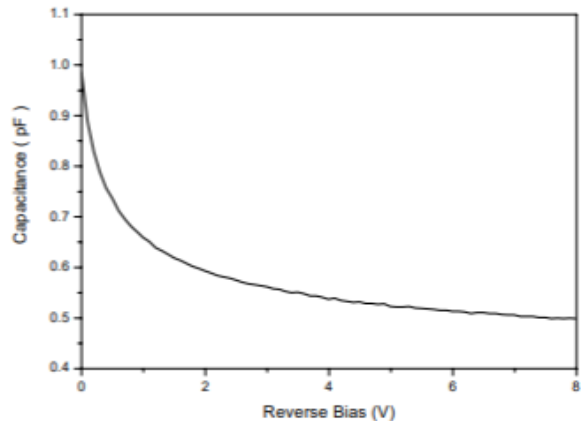


Fig. 4 Typical C-V Curve

Note: The above specifications are subject to change without notice.

